

7 Parts and diagrams



NOTE In this chapter, part numbers are only listed for available replaceable parts. References to non-replaceable parts are provided for identification.

This section contains the following information.

- [Overview](#)
- [Assembly locations](#)
- [Covers](#)
- [Internal assemblies](#)
- [Input devices](#)
- [Diagrams](#)
- [Alphabetical parts list](#)
- [Numerical parts list](#)

Overview

Replaceable parts

The following table lists the replaceable parts available for this printer.

Table 7-1 Available replaceable parts

Description	Part number	Diagram
FORMATTER PCB (replacement)	CB374-60001	
FLAT FLEX CABLE DCC-FORMATTER	Q6456-60101	
ARM, PAPER RETAINER, LEFT	RC1-5096-000CN	See Figure 7-6 Internal components (2 of 3) on page 168.
ARM, PAPER RETAINER, RIGHT	RC1-5097-000CN	See Figure 7-6 Internal components (2 of 3) on page 168.
RETAINER, PAPER	RC1-5062-000CN	See Figure 7-6 Internal components (2 of 3) on page 168.
CABLE COVER UNIT	RC1-5147-000CN	See Figure 7-6 Internal components (2 of 3) on page 168.
COVER, LEFT	RC1-5183-000CN	See Figure 7-3 External panels and covers (2 of 2) on page 160.
COVER, CASSETTE, LEFT	RC1-5184-000CN	See Figure 7-3 External panels and covers (2 of 2) on page 160.
COVER, CASSETTE, RIGHT	RC1-5188-000CN	See Figure 7-3 External panels and covers (2 of 2) on page 160.
COVER, CASSETTE, DUST	RC1-5200-000CN	See Figure 7-3 External panels and covers (2 of 2) on page 160. and Figure 7-14 Tray 2 input tray internal components on page 194.
PLATE, REAR	RC1-5227-000CN	See Figure 7-3 External panels and covers (2 of 2) on page 160.
ROLLER, PICK UP	RC1-5440-000CN	See Figure 7-15 Paper pick-up feeder assembly for Tray 2 on page 198 and Figure 7-17 Paper pickup feeder assembly (Tray 3) on page 206.
COVER, FACE DOWN	RC1-5173-000CN	See Assembly locations on page 156.
COVER, UPPER FACE S	RC1-5174-000CN	See Assembly locations on page 156.
FUSER ASSY	RM1-1820-000CN 110-127V	See Figure 7-10 Fuser assembly on page 182.
FUSER ASSY	RM1-1821-000CN 220-240V	See Figure 7-10 Fuser assembly on page 182.
FRONT DOOR ASSY	RM1-1856-000CN	See Figure 7-3 External panels and covers (2 of 2) on page 160.
RIGHT COVER ASSY	RM1-1858-000CN	See Figure 7-3 External panels and covers (2 of 2) on page 160.

Table 7-1 Available replaceable parts (continued)

Description	Part number	Diagram
PAPER DELIVERY TRAY ASSY	RM1-1859-000CN	See Figure 7-3 External panels and covers (2 of 2) on page 160.
COVER, INSIDE, UPPER	RC1-5178-000CN	See Figure 7-4 Upper cover assembly on page 162.
ETB UNIT	RM1-1885-000CN	See Figure 7-6 Internal components (2 of 3) on page 168.
TRAY 1 & 2 CASSETTE (tray only)	RM1-1916-000CN	See Figure 7-12 Tray 2 input tray (cassette) on page 188.
SEPARATION ASSY	RM1-1922-000CN	See Figure 7-12 Tray 2 input tray (cassette) on page 188 and Figure 7-16 Tray 3 input tray (cassette) on page 202.
FEED ASSY	RM1-1923-000CN	See Figure 7-12 Tray 2 input tray (cassette) on page 188.
TRAY 3 CASSETTE (tray only)	RM1-1945-000CN	See Figure 7-16 Tray 3 input tray (cassette) on page 202.
UPPER COVER	RC1-5176-000CN	See Figure 7-4 Upper cover assembly on page 162.
DC CONTROLLER PCB ASSY	RM1-1975-000CN	See Figure 7-7 Internal components (3 of 3) on page 172 and Figure 7-11 PCB assembly location (Tray 2) on page 186.
CONTROL PANEL ASSY	RM1-1983-000CN	See Figure 7-8 Control panel assembly on page 176.
Black Toner Cartridge	Q6000A	
Cyan Toner Cartridge	Q6001A	
Yellow Toner Cartridge	Q6002A	
Magenta Toner Cartridge	Q6003A	
Replacement-Toner-Black	Q6000-67901	
Replacement-Toner-Cyan	Q6001-67901	
Replacement-Toner-Yellow	Q6002-67901	
Replacement-Toner-Magenta	Q6003-67901	
Tray 3 paper feeder	Q6459-69001	
Replacement Whole printer units 110v	Q6455-67056	
Replacement Whole printer units 220v	Q6455-67055	
Refurbished Whole printer units 110v	Q6455-69056	
Refurbished Whole printer units 220v	Q6455-69055	
Optional Tray 3	Q6459A	
Replacement Tray 3 (tray and assembly)	Q6459-69001	

Order replacement parts from the following Web site:

<http://www.partsdirect.hp.com>

Related documentation and software

Order documentation and software from the companies listed in the following table; some documentation and software is available at the following Web sites.

Table 7-2 Technical support Web sites

HP Customer Care Online	http://www.hp.com/support
Software drivers, support documentation, and answers to frequently asked questions	
HP Technical Training	http://www.hp.com/education

Supplies

Printer supplies are listed in [Life expectancies of replacement supplies on page 30](#). Consumables are available directly from HP at the following numbers.

- US: 1-800-538-8787
- Canada: 1-800-387-3154

Contact your local HP Parts Coordinator for other local phone numbers.

Accessories

Table 7-3 Accessories

Product name	Description	Product number	Part number	Exchange number (replacement number)
Optional 250-sheet tray	Optional Tray 3	Q6459A	Q6459-69001	RM1-1945-000CN

Assembly locations

ASSEMBLY LOCATION DIAGRAM

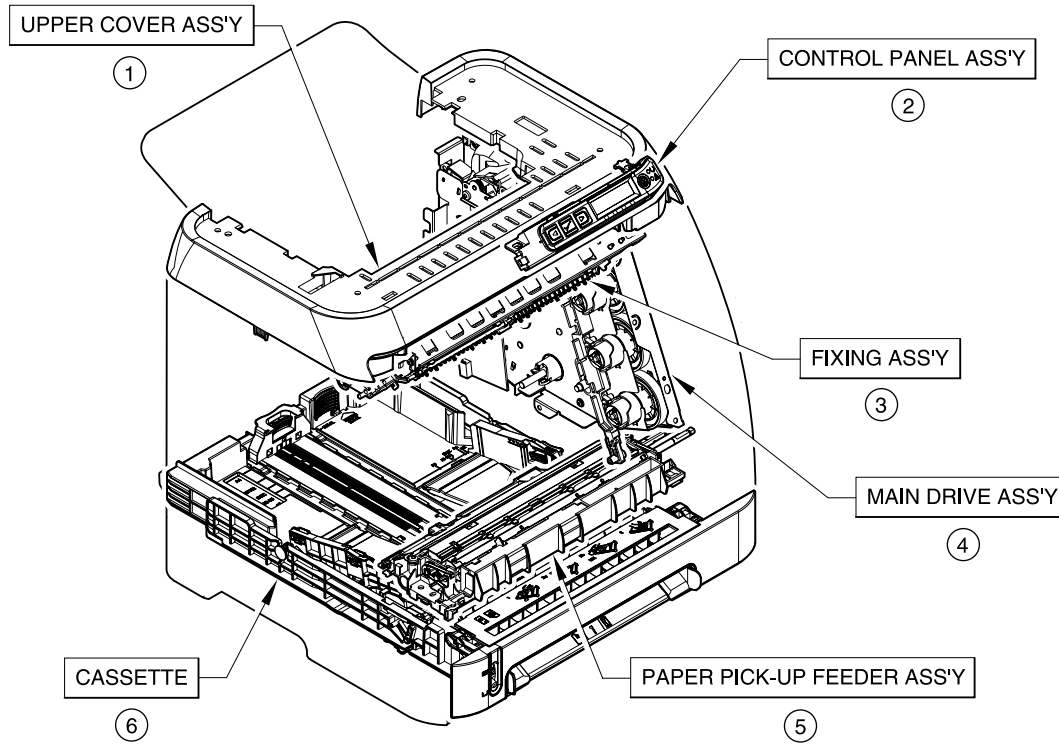


Figure 7-1 Assembly location diagram

Table 7-4 Assembly locations

Ref	Description	Part number	Qty
	* Not set up as a service part		
1	UPPER COVER	*	
2	CONTROL PANEL ASSEMBLY	RM1-1983-000CN	
3	FUSER ASSEMBLY	RM1-1820-000CN (110v) or RM1-1821-000CN (220v)	
4	MAIN DRIVE ASSEMBLY	*	
5	PAPER PICKUP FEEDER ASSEMBLY	*	
6	CASSETTE	RM1-1916-000CN	

EXTERNAL PANELS, COVERS, ETC. (1/2)

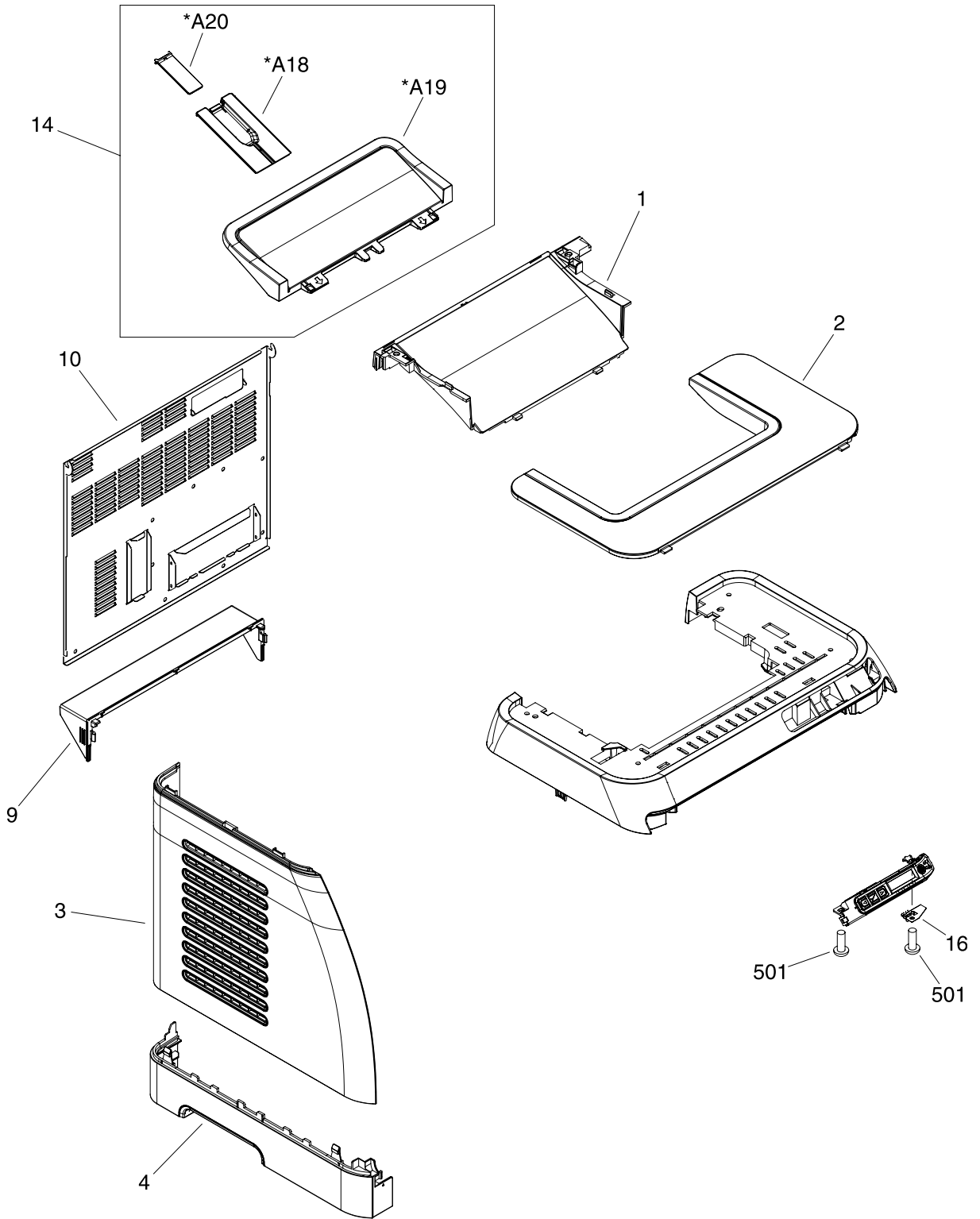


Figure 7-2 External panels and covers (1 of 2)

Table 7-5 External panels and covers (1 of 2)

Ref	Description	Part number	Qty
	* Not set up as a service part		
	EXTERNAL COVERS, PANELS, ETC.	*	RF
	CONNECTOR, SNAP TIGHT	*	1
	CONNECTOR, SNAP TIGHT, BK	*	1
	CLIP, CABLE	*	1
	SADDLE, WIRE	*	1
1	COVER, FACE-DOWN	RC1-5173-000CN	1
2	COVER, UPPER FACE, S	RC1-5174-000CN	1
3	COVER, LEFT	RC1-5183-000CN	1
4	COVER, CASSETTE, LEFT	RC1-5184-000CN	1
9	COVER, CASSETTE DUST	RC1-5200-000CN	1
10	PLATE, REAR	RC1-5227-000CN	1
14	PAPER DELIVERY TRAY ASS'Y	RM1-1859-000CN	1
16	PLATE, GROUNDING	*	1
501	SCREW, TAPPING, TRUSS HEAD, M3X8	*	2
A18	TRAY, EXTENSION	*	1
A19	TRAY, FACE-DOWN	*	1
A20	PLATE, DELIVERY BACK END LIMIT	*	1

EXTERNAL PANELS, COVERS, ETC. (2/2)

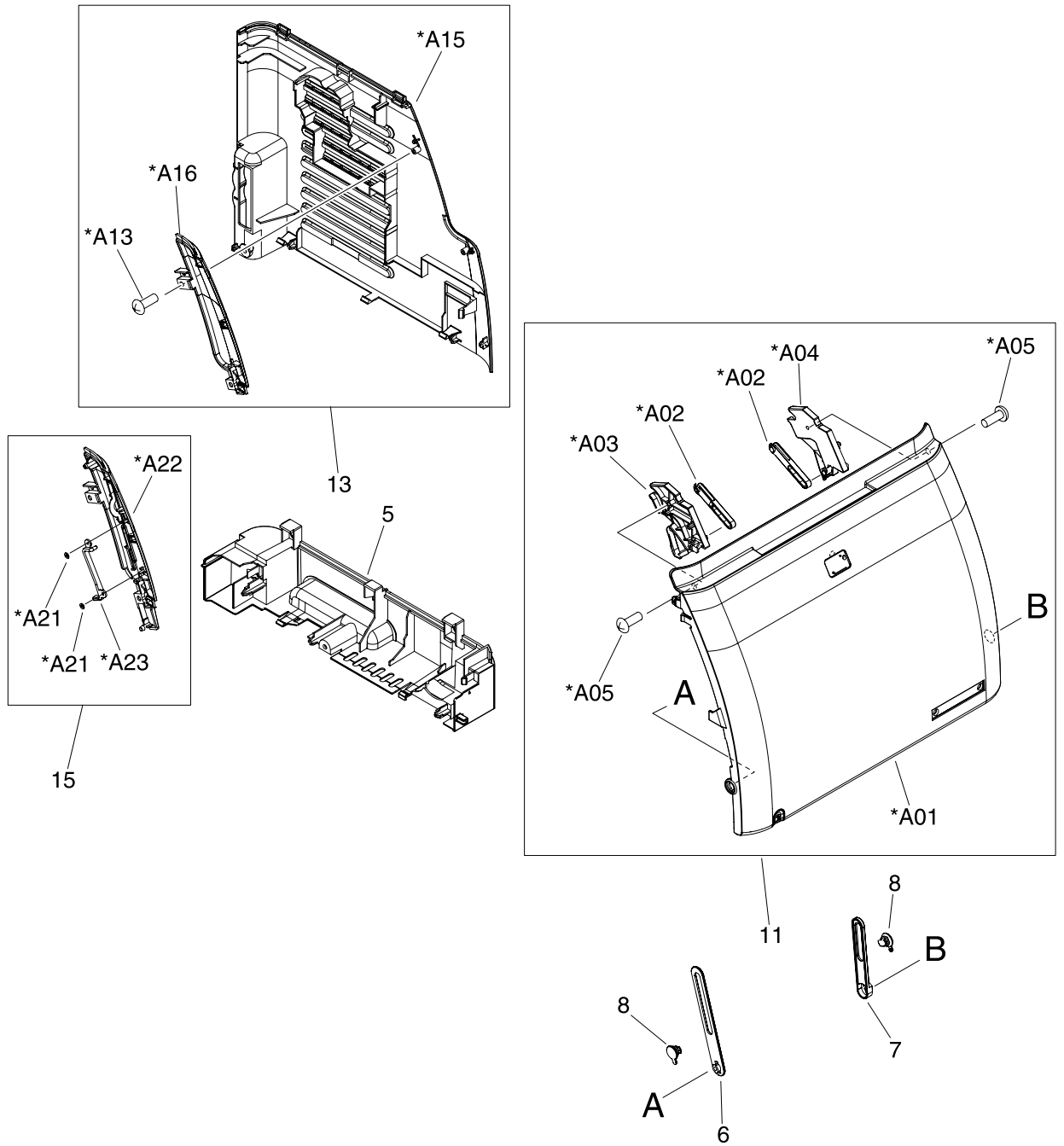


Figure 7-3 External panels and covers (2 of 2)

Table 7-6 External panels and covers (2 of 2)

Ref	Description	Part number	Qty
	* Not set up as a service part		
	EXTERNAL COVERS, PANELS, ETC.	*	RF
	CONNECTOR, SNAP TIGHT	*	1
	CONNECTOR, SNAP TIGHT, BK	*	1
	CLIP, CABLE	*	1
	SADDLE, WIRE	*	1
5	COVER, CASSETTE, RIGHT	RC1-5188-000CN	1
6	ARM, FRONT DOOR, LEFT	*	1
7	ARM, FRONT DOOR, RIGHT	*	1
8	SHAFT, FRONT DOOR ARM	*	2
9	COVER, CASSETTE DUST	RC1-5200-000CN	1
10	PLATE, REAR	RC1-5227-000CN	1
11	FRONT DOOR ASS'Y	RM1-1856-000CN	1
13	RIGHT COVER ASS'Y	RM1-1858-000CN	1
15	COVER, RIGHT FRONT	*	1
A01	DOOR, FRONT	*	1
A02	LEVER, LINK	*	2
A03	LEVER, TOGGLE, LEFT	*	1
A04	LEVER, TOGGLE, RIGHT	*	1
A05	SCREW, TAPPING, TRUSS HEAD, M4X8	*	2
A13	SCREW, TP	*	2
A15	COVER, RIGHT	*	1
A16	COVER, RIGHT FRONT	*	1
A21	BUSHING	*	2
A22	COVER, RIGHT FRONT	*	1
A23	GUIDE, LIGHT	*	1

Covers

UPPER COVER ASS'Y

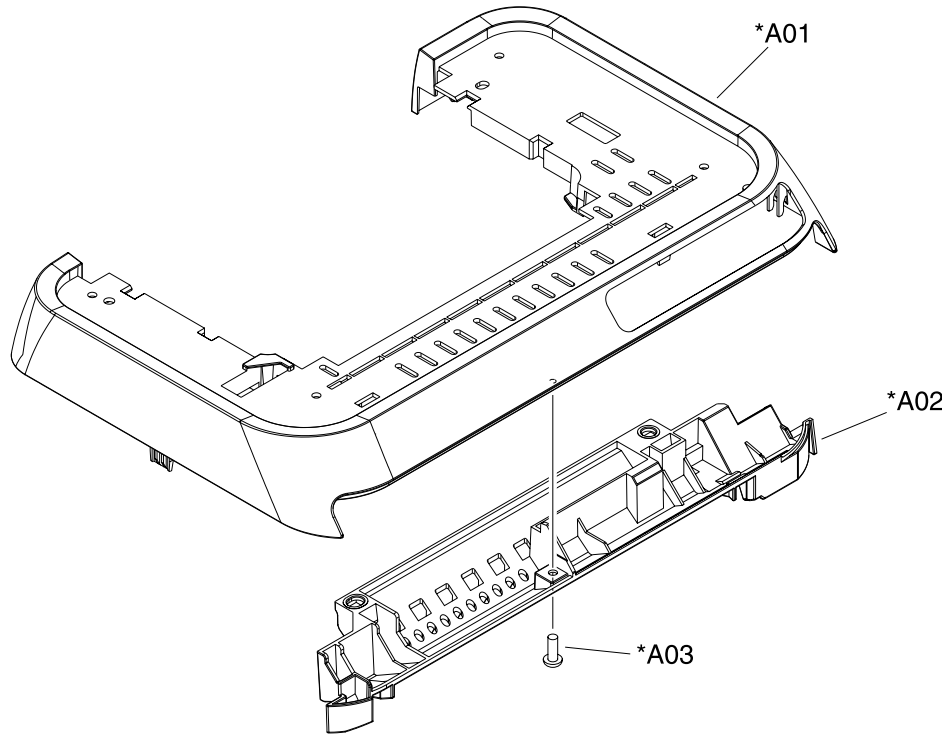


Figure 7-4 Upper cover assembly

Table 7-7 Upper assembly cover

Ref	Description	Part number	Qty
	* Not set up as a service part		
A01	COVER, UPPER	RC1-5176-000CN	1
A02	COVER, INSIDE, UPPER	RC1-5178-000CN	1
A03	SCREW, TAPPING, TRUSS HEAD, M4X8	*	1

Internal assemblies

INTERNAL COMPONENTS 1

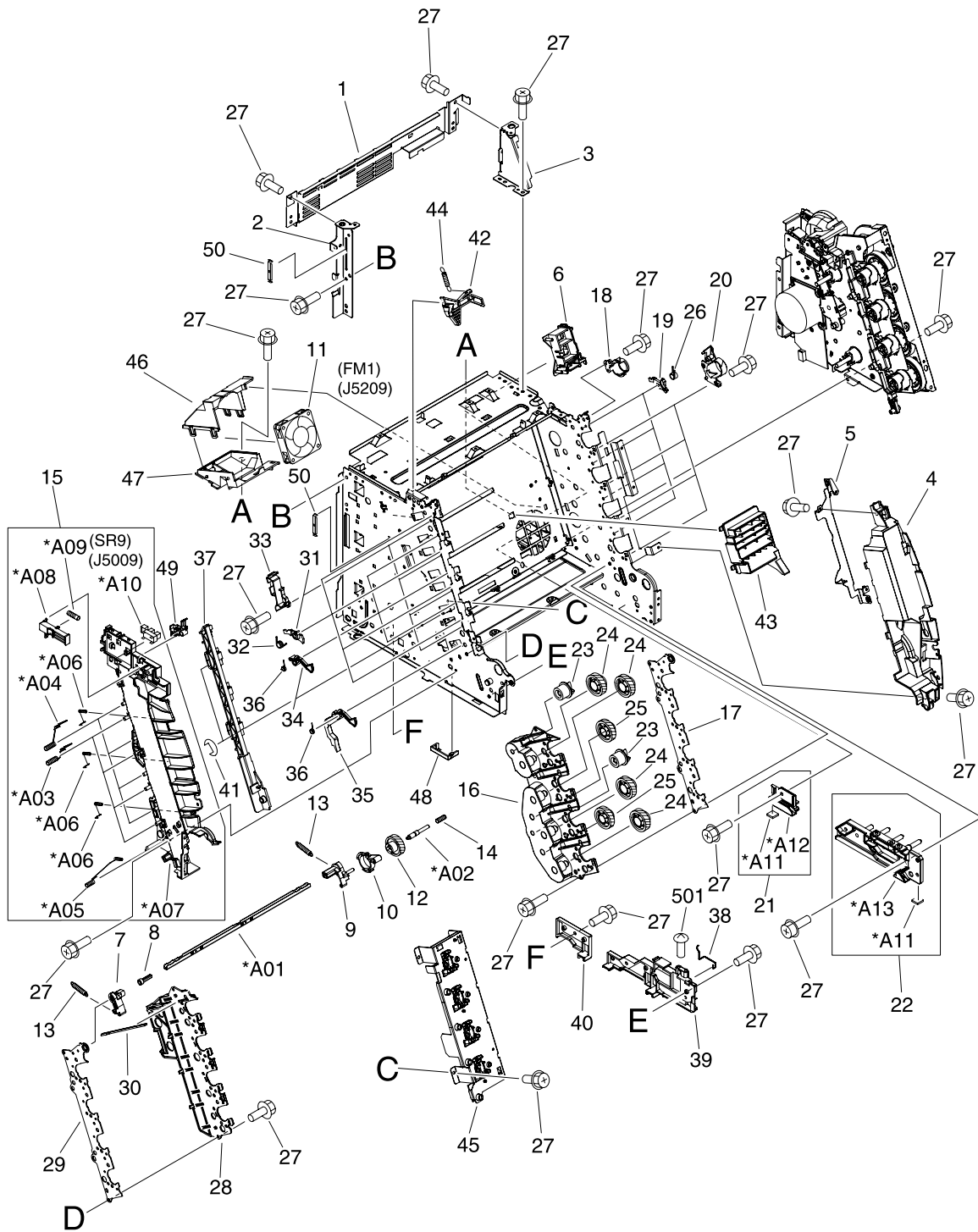


Figure 7-5 Internal components (1 of 3)

Table 7-8 Internal components (1 of 3)

Ref	Description	Part number	Qty
	* Not set up as a service part		
	INTERNAL COMPONENTS 1	*	RF
1	CROSSMEMBER, TOP COVER	*	1
2	BRACKET, LEFT REAR	*	1
3	BRACKET, RIGHT REAR	*	1
4	COVER, INSIDE, RIGHT	*	1
5	BRACKET, CARD READER	*	1
6	HOLDER, FAN RETAINER	*	1
7	LATCH, LEFT	*	1
8	BUSHING	*	1
9	LATCH, RIGHT	*	1
10	LEVER, ETB RELEASE	*	1
11	FAN	*	1
12	GEAR, 54T	*	1
13	SPRING, TENSION	*	2
14	SPRING, COMPRESSION	*	1
15	LEFT INTERNAL COVER ASS'Y	*	1
16	GUIDE, CARTRIDGE, RIGHT	*	1
17	HOLDER, DRUM	*	1
18	BUSHING	*	1
19	PLATE, PRESSURE, RIGHT	*	4
20	BUSHING	*	4
21	GUIDE, CASSETTE, REAR RIGHT	*	1
22	GUIDE, CASSETTE, FRONT RIGHT	*	1
23	GEAR, 20T	*	2
24	GEAR, 36T	*	4
25	GEAR, 36T	*	2
26	SPRING, TORSION	*	4
27	SCREW, RS, M3X8	*	15
27	SCREW, RS, M3X8	*	14
27	SCREW, RS, M3X8	*	1
27	SCREW, RS, M3X8	*	4
28	GUIDE, CARTRIDGE, LEFT	*	1
29	HOLDER, DRUM	*	1

Ref	Description	Part number	Qty
30	LINK, SHUTTER	*	1
31	PLATE, PRESSURE, LEFT	*	4
32	SPRING, TORSION	*	4
33	PLATE, SHAFT	*	4
34	ARM, OPEN/CLOSE	*	3
35	ARM, OPEN/CLOSE	*	1
36	SPRING, TORSION	*	4
37	ROD, LEFT	*	1
38	SPRING, GROUNDING	*	1
39	GUIDE, CASSETTE, FRONT LEFT	*	1
40	GUIDE, CASSETTE, REAR LEFT	*	1
41	RING, E	*	2
42	ARM, LASER SHUTTER	*	1
43	DUCT, FAN	*	1
44	SPRING, TENSION	*	1
45	MEMORY CONTROLLER PCB ASS'Y	*	1
46	DUCT, FAN, UPPER	*	1
47	DUCT, FAN, LOWER	*	1
48	HOLDER, MEMORY CONTROLLER	*	1
49	FLAG, PRESSURE RELEASE SENSOR	*	1
50	CLAMP, FFC	*	2
501	SCREW, TAPPING, TRUSS HEAD, M4X8	*	1
A01	SHAFT, TOGGLE	*	1
A02	SHAFT, ETB DRIVE	*	1
A03	SPRING, GROUNDING	*	4
A04	SPRING, GROUNDING	*	4
A05	SPRING, GROUNDING	*	1
A06	SPRING, GROUNDING	*	3
A07	COVER, INSIDE, LEFT	*	1
A08	ARM, INTERLOCK SWITCH	*	1
A09	SPRING, COMPRESSION	*	1
A10	PHOTO INTERRUPTER (SENSOR)	*	1
A11	FOOT, RUBBER	*	1
A12	GUIDE, CASSETTE, REAR RIGHT	*	1
A13	GUIDE, CASSETTE, FRONT RIGHT	*	1

INTERNAL COMPONENT 2

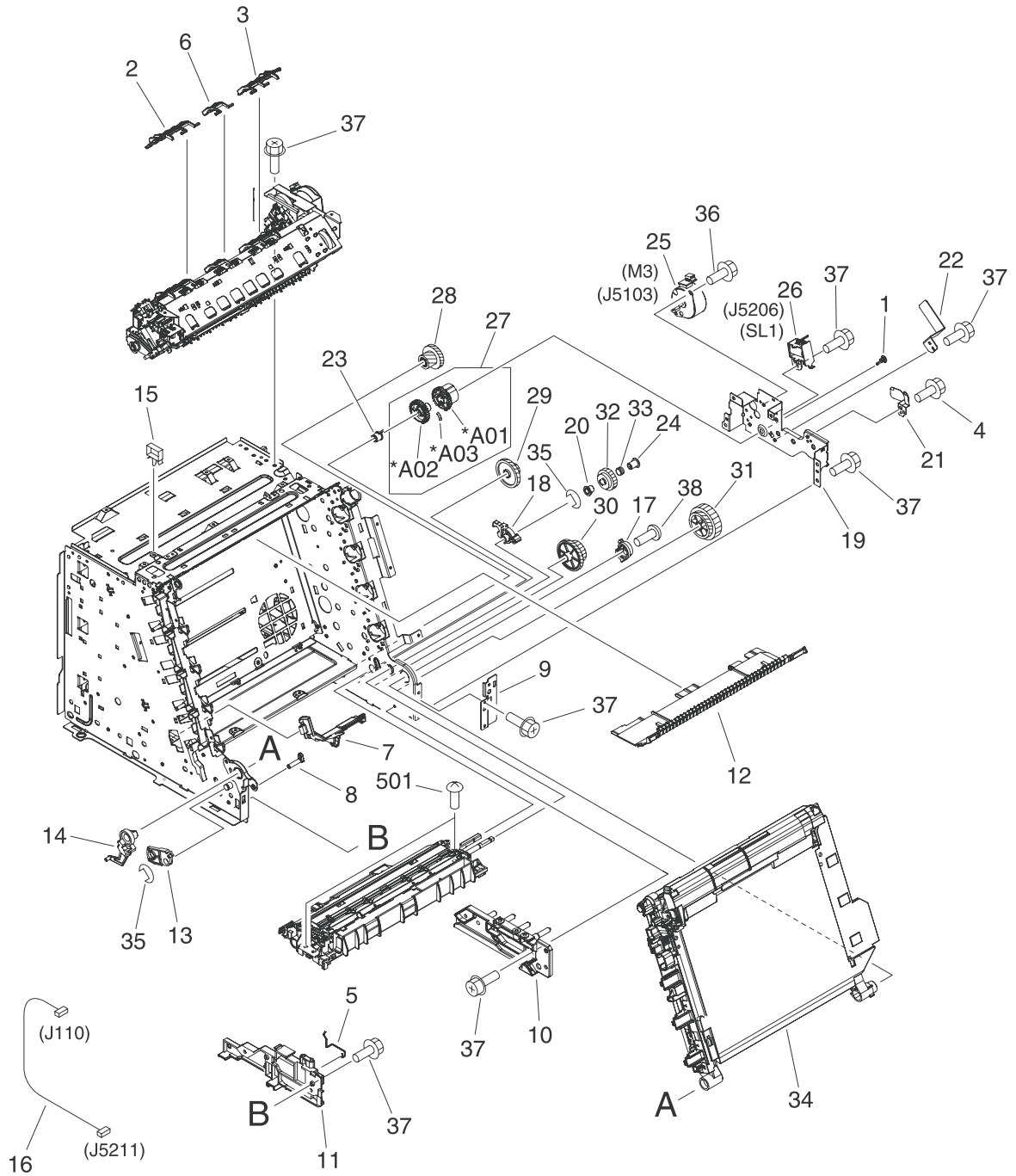


Figure 7-6 Internal components (2 of 3)

Table 7-9 Internal components (2 of 3)

Ref	Description	Part number	Qty
	* Not set up as a service part		
	INTERNAL COMPONENTS 2	*	RF
1	CAP, SHAFT CONDUCTIVE	*	1
2	ARM, PAPER RETAINER, LEFT	RC1-5096-000CN	1
3	ARM, PAPER RETAINER, RIGHT	RC1-5097-000CN	1
4	SCREW, RS, M3X6	*	1
5	SPRING, GROUNDING	RC1-5147-000CN	1
6	RETAINER, PAPER	RC1-5062-000CN	1
7	COVER, PICK-UP FEED CABLE	*	1
8	SHAFT, FRONT DOOR	*	1
9	PLATE, PANEL FIX, RIGHT FRONT	*	1
10	GUIDE, CASSETTE, FRONT RIGHT	*	1
11	GUIDE, CASSETTE, FRONT LEFT	*	1
12	PLATE, HEAT INSULATING	*	1
13	LEVER, CONNECTING, LEFT	*	1
14	CAM, LEFT	*	1
15	SADDLE, WIRE	*	1
16	FEEDER UNIT JOINT CABLE	*	2
17	CAM, HINGE, RIGHT	*	1
18	LEVER, CONNECTING, RIGHT	*	1
19	BASE, MOTOR	*	1
20	CLUTCH, MECHANICAL	*	1
21	SPRING, LEAF	*	1
22	PLATE	*	1
23	BUSHING	*	1
24	STOP, CLUTCH	*	1
25	MOTOR, STEPPING, DC	*	1
26	SOLENOID	*	1
27	PICKUP GEAR ASS'Y	*	1
28	GEAR, 57T/20T	*	1
29	GEAR, 43T/16T	*	1
30	GEAR, 47T/26T	*	1
31	GEAR, 40T/43T	*	1
32	CAM/GEAR, 26T	*	1

Ref	Description	Part number	Qty
33	SPRING, COMPRESSION	*	1
34	ELECT.TRANSPORT BELT ASS'Y	RM1-1885-000CN	1
35	RING, E	*	2
36	SCREW, RS, M3X6	*	2
37	SCREW, RS, M3X8	*	19
38	SCREW, W/WASHER, M4X18	*	2
501	SCREW, TAPPING, TRUSS HEAD, M4X8	*	2
A01	GEAR, 29T	*	1
A02	GEAR, 29T	*	1
A03	SPRING, COMPRESSION	*	1

Table 7-10 Internal components (3 of 3)

Ref	Description	Part number	Qty
	* Not set up as a service part		
	INTERNAL COMPONENTS 3	*	RF
1	GUIDE, CABLE, UPPER	*	1
3	PLATE, SHIELD	*	1
4	PLATE, SHIELD, FRONT	*	1
5	PLATE, CONNECTOR	*	1
6	COVER, CONTROLLER	*	1
7	LID, CONTROLLER	*	1
8	HOLDER, CABLE, LEFT	*	1
9	HOLDER, DC CABLE	*	1
10	HOLDER, CABLE, UPPER	*	1
11	HOLDER, DRAWER	*	1
12	CONNECTOR, DRAWER	*	1
15	SCANNER UNIT	*	1
16	DC CONTROLLER PCB ASS'Y	RM1-1975-000CN	1
17	POWER SUPPLY PCB ASS'Y	*	1
17	POWER SUPPLY PCB ASS'Y	*	2
17	POWER SUPPLY PCB ASS'Y	*	1
18	HIGH-VOLTAGE PCB ASS'Y	*	1
20	POWER CABLE	*	1
21	POWER CONTROLLER CABLE	*	1
22	FIXING SENSOR CABLE	*	1
23	DRIVE CABLE	*	1
23A	CONNECTOR, SNAP TIGHT, BK	*	1
23B	CONNECTOR, SNAP TIGHT, BK	*	1
24	CABLE, CPR	*	1
25	FEEDER UNIT JOINT CABLE	*	1
28	SCREW, W/WASHER, M3X8	*	1
29	SCREW, RS, M3X10	*	4
30	SCREW, RS, M3X8	*	10
32	ROD, BEARING SUPPORT	*	3
33	CABLE, FLAT	*	1
34	CABLE, FLAT	*	1
35	CABLE, FLAT	*	1

Ref	Description	Part number	Qty
37	CLAMP, FFC	*	2
502	SCREW, TAPPING, TRUSS HEAD, M4X8	*	2

CONTROL PANEL ASS'Y

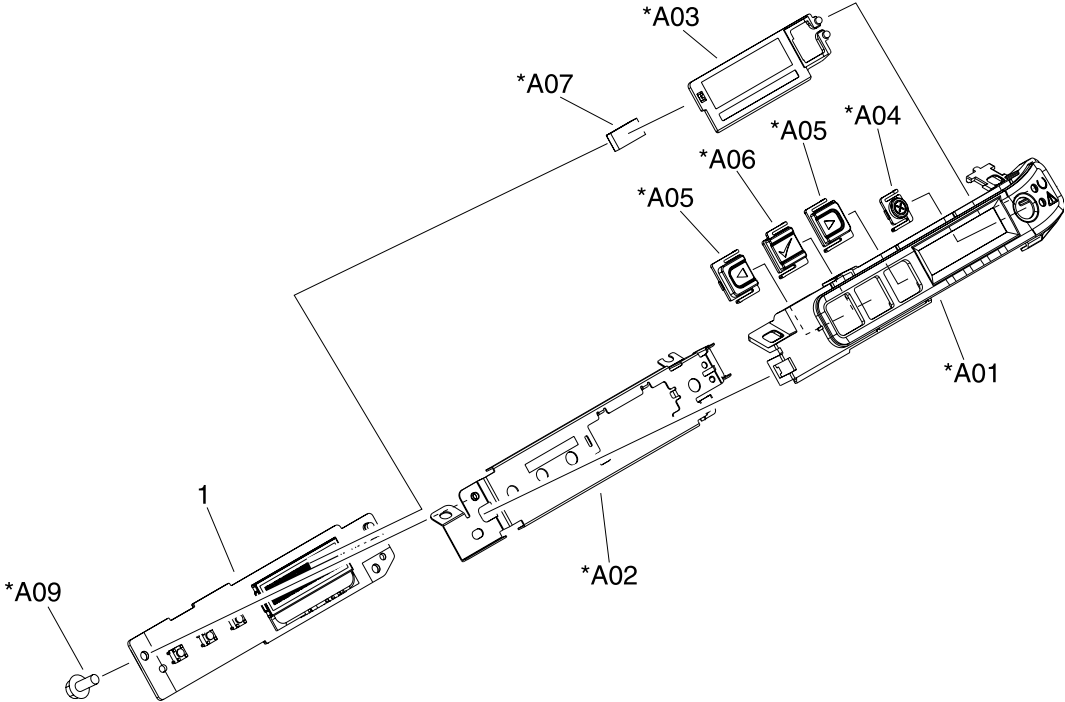


Figure 7-8 Control panel assembly

Table 7-11 Control panel assembly

Ref	Description	Part number	Qty
	* Not set up as a service part		
	CONTROL PANEL ASS'Y	RM1-1983-000CN	1
1	CONTROL PANEL PCB ASS'Y	*	1
1	CONTROL PANEL PCB ASS'Y	*	1
A01	PANEL, CONTROL PANEL	*	1
A02	PLATE, CONTROL PANEL RETAINING	*	1
A03	GUIDE, CONTROL PANEL LIGHT	*	1
A04	BUTTON, CONTROL PANEL, 1	*	1
A05	BUTTON, CONTROL PANEL, 2	*	2
A06	BUTTON, CONTROL PANEL, 3	*	1
A07	SPACER, CONTROL PANEL	*	1
A09	SCREW, RS, M3X8	*	2

MAIN DRIVE ASS'Y

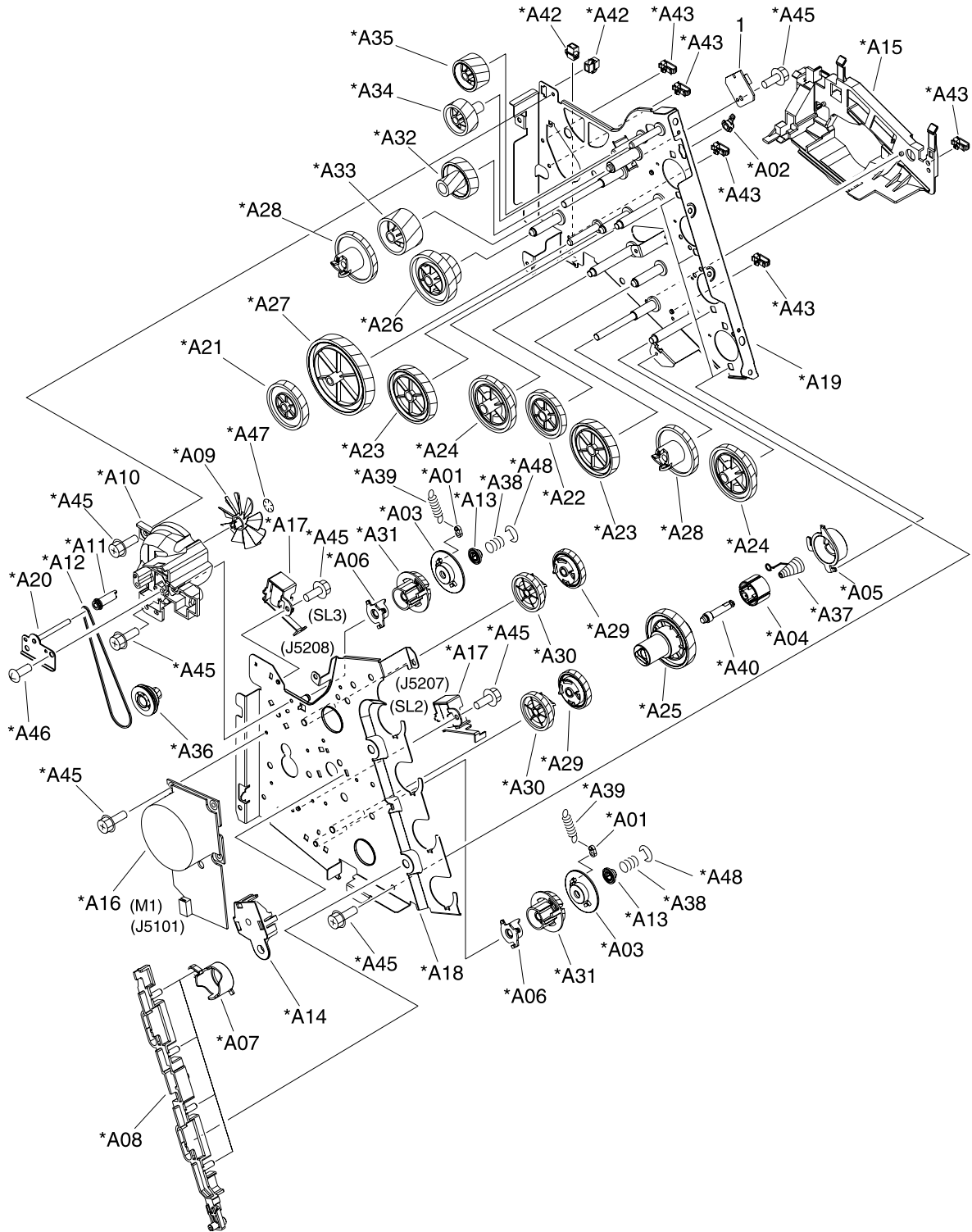


Figure 7-9 Main drive assembly

Table 7-12 Main drive assembly

Ref	Description	Part number	Qty
	* Not set up as a service part		
	MAIN DRIVE ASS'Y	*	1
1	F.F.C. CONNECT PCB UNIT	*	1
A01	COLLAR, SPRING	*	2
A02	BUSHING	*	1
A03	FLANGE, CAM GEAR	*	2
A04	COVER, DRUM	*	4
A05	BUSHING	*	4
A06	BUSHING	*	2
A07	CAM, RELEASE	*	4
A08	ROD, RELEASE, RIGHT	*	1
A09	FAN	*	1
A10	DUCT, FAN	*	1
A11	PULLEY	*	1
A12	BELT, TRANSMISSION	*	1
A13	STOP, CAM GEAR	*	2
A14	BUSHING	*	1
A15	GUIDE, DRIVE CABLE	*	1
A16	MOTOR, DC	*	1
A17	SOLENOID	*	2
A18	PLATE, DRIVE INSIDE	*	1
A19	SIDE PLATE, DRIVE	*	1
A20	PLATE, FAN	*	1
A21	GEAR, 81T	*	1
A22	GEAR, 81T/32T	*	1
A23	GEAR, 96T	*	2
A24	GEAR, 53T/96T	*	2
A25	GEAR, 98T	*	4
A26	GEAR, 89T/53T	*	1
A27	GEAR, 134T	*	1
A28	GEAR, 86T	*	2
A29	GEAR, 64T	*	2
A30	GEAR, 64T	*	2
A31	GEAR, 37T	*	2

Ref	Description	Part number	Qty
A32	GEAR, 27T/64T	*	1
A33	GEAR, 64T	*	1
A34	GEAR, 54T	*	1
A35	GEAR, 54T	*	1
A36	GEAR, 18T	*	1
A37	SPRING, COMPRESSION	*	4
A38	SPRING, COMPRESSION	*	2
A39	SPRING, TENSION	*	2
A40	SHAFT, DRUM GEAR	*	4
A41	CONNECTOR, 2P	*	2
A42	CONNECTOR, SNAP TIGHT, BK	*	2
A43	CLIP, CABLE	*	5
A44	CLIP, EDGE	*	1
A45	SCREW, RS, M3X8	*	18
A46	SCREW, TAPPING, TRUSS HEAD, M4X8	*	2
A47	SE RING	*	1
A48	RING, E	*	2

FUSER ASS'Y

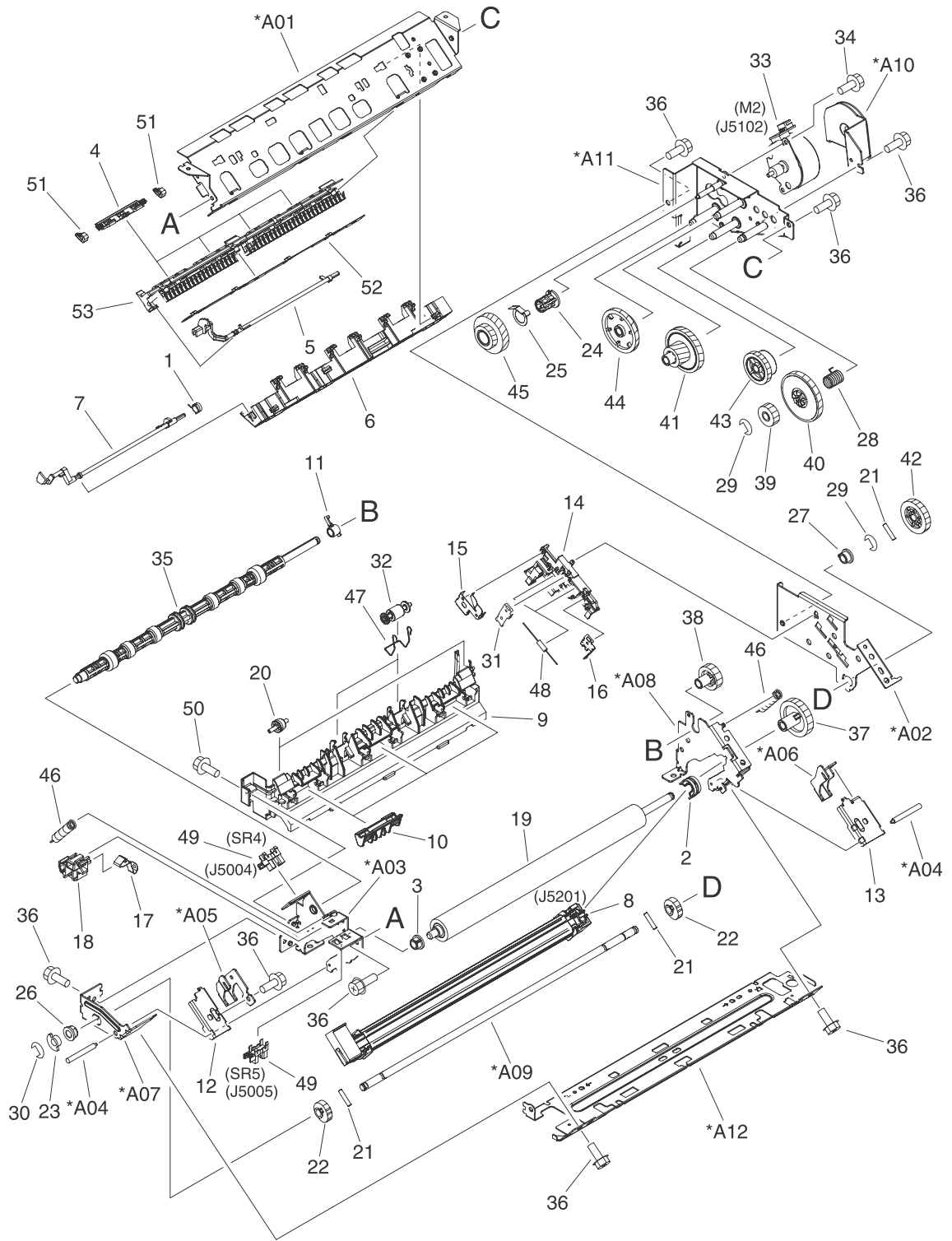


Figure 7-10 Fuser assembly

Table 7-13 Fuser assembly

Ref	Description	Part number	Qty
	* Not set up as a service part		
	FUSER ASS'Y (110v)	RM1-1820-000CN	1
	FUSER ASS'Y (220v)	RM1-1821-000CN	1
1	SPRING, TORSION	*	1
2	BUSHING	*	1
3	BUSHING	*	1
4	RIB, ENTRANCE GUIDE	*	4
5	FLAG, INLET	*	1
6	GUIDE, PAPER DELIVERY UPPER	*	1
7	FLAG, PAPER DELIVERY	*	1
8	FILM GUIDE ASS'Y (110v)	*	1
8	FILM GUIDE ASS'Y (220v)	*	1
9	GUIDE, PAPER DELIVERY LOWER	*	1
10	FLAG, INTERTWINE PREVENTION	*	3
11	BUSHING	*	1
12	PLATE, PRESSURE, LEFT	*	1
13	PLATE, PRESSURE, RIGHT	*	1
14	HOLDER, RESISTOR	*	1
15	SPRING, GROUNDING	*	1
16	SPRING, GROUNDING	*	1
17	SPRING, GROUNDING	*	1
18	GUIDE, CONTACT/SENSOR SUPPORT	*	1
19	ROLLER, PRESSURE	*	1
20	ROLLER, FACE-DOWN BENDING	*	2
21	PIN,DOWEL	*	3
22	CAM, PRESSURE RELEASE	*	2
23	FLAG, PRESSURE RELEASE	*	1
24	HOLDER, PRESSURE RELEASE GEAR	*	1
25	SPRING, LEAF	*	1
26	BUSHING	*	1
27	BUSHING	*	1
28	SPRING, COMPRESSION	*	1
29	RING, E	*	2
30	RING, E	*	1

Ref	Description	Part number	Qty
31	SPRING, GROUNDING	*	1
32	ROLLER, DELIVERY	*	2
33	MOTOR, STEPPING, DC	*	1
34	SCREW, RS, M3X6	*	2
35	SHAFT, FACE-DOWN ROLLER	*	1
36	SCREW, RS, M3X8	*	17
37	GEAR, 30T	*	1
38	GEAR, 19T	*	1
39	GEAR, 16T	*	1
40	GEAR, 49T	*	1
41	GEAR, 19T/71T	*	1
42	GEAR, 27T	*	1
43	GEAR, 26T	*	1
44	GEAR, 20T/44T	*	1
45	GEAR, 22T/38T	*	1
46	SPRING, TENSION	*	2
47	SPRING, TORSION	*	2
48	SOLID RESISTOR, 20MOHM, 1/4W	*	1
49	PHOTO INTERRUPTER (SENSOR)	*	2
50	SCREW, RS, M3X8	*	1
51	CLIP, ENTRANCE GUIDE	*	8
52	PLATE, GROUNDING	*	1
53	GUIDE, FIXING ENTRANCE	*	1
A01	FRAME, FIXING	*	1
A02	SIDE PLATE, FIXING, RIGHT	*	1
A03	SIDE PLATE, FIXING, LEFT	*	1
A04	SHAFT, PRESSURE RELEASE	*	2
A05	PLATE, PRESSURE RELEASE, LEFT	*	1
A06	PLATE, PRESSURE RELEASE, RIGHT	*	1
A07	SIDE PLATE, FIXING, LEFT, 2	*	1
A08	SIDE PLATE, FIXING, RIGHT, 2	*	1
A09	SHAFT, PRESSURE RELEASE CAM	*	1
A10	PLATE, MOTOR ANTI-MAGNETIC	*	1
A11	SIDE PLATE, GEAR	*	1
A12	BASE PLATE, FIXING	*	1

PCB ASS'Y LOCATION DIAGRAM

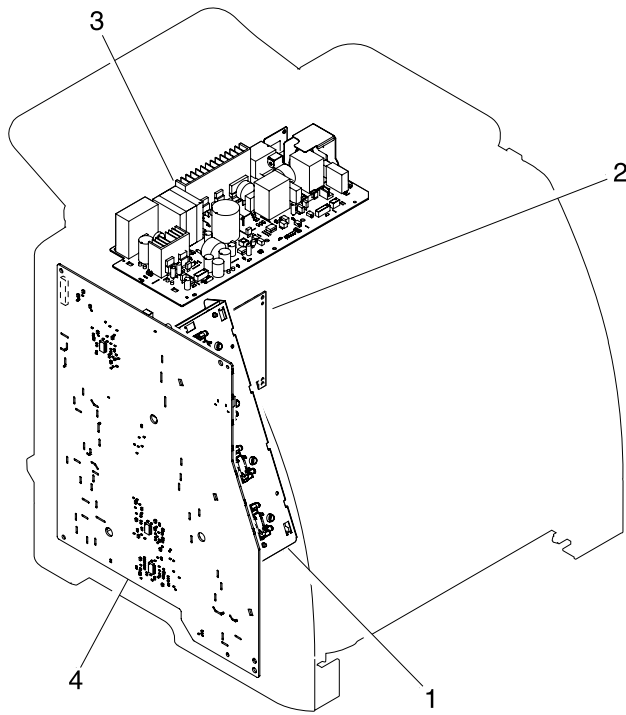


Figure 7-11 PCB assembly location (Tray 2)

Table 7-14 PCB assembly location Tray 2

Ref	Description	Part number	Qty
	* Not set up as a service part		
	PCB ASS'Y LOCATION DIAGRAM	*	RF
1	MEMORY CONTROLLER PCB ASS'Y	*	1
2	DC CONTROLLER PCB ASS'Y	RM1-1975-000CN	1
3	POWER SUPPLY PCB ASS'Y	*	1
3	POWER SUPPLY PCB ASS'Y	*	1
4	HIGH-VOLTAGE PCB ASS'Y	*	1

Input devices

CASSETTE

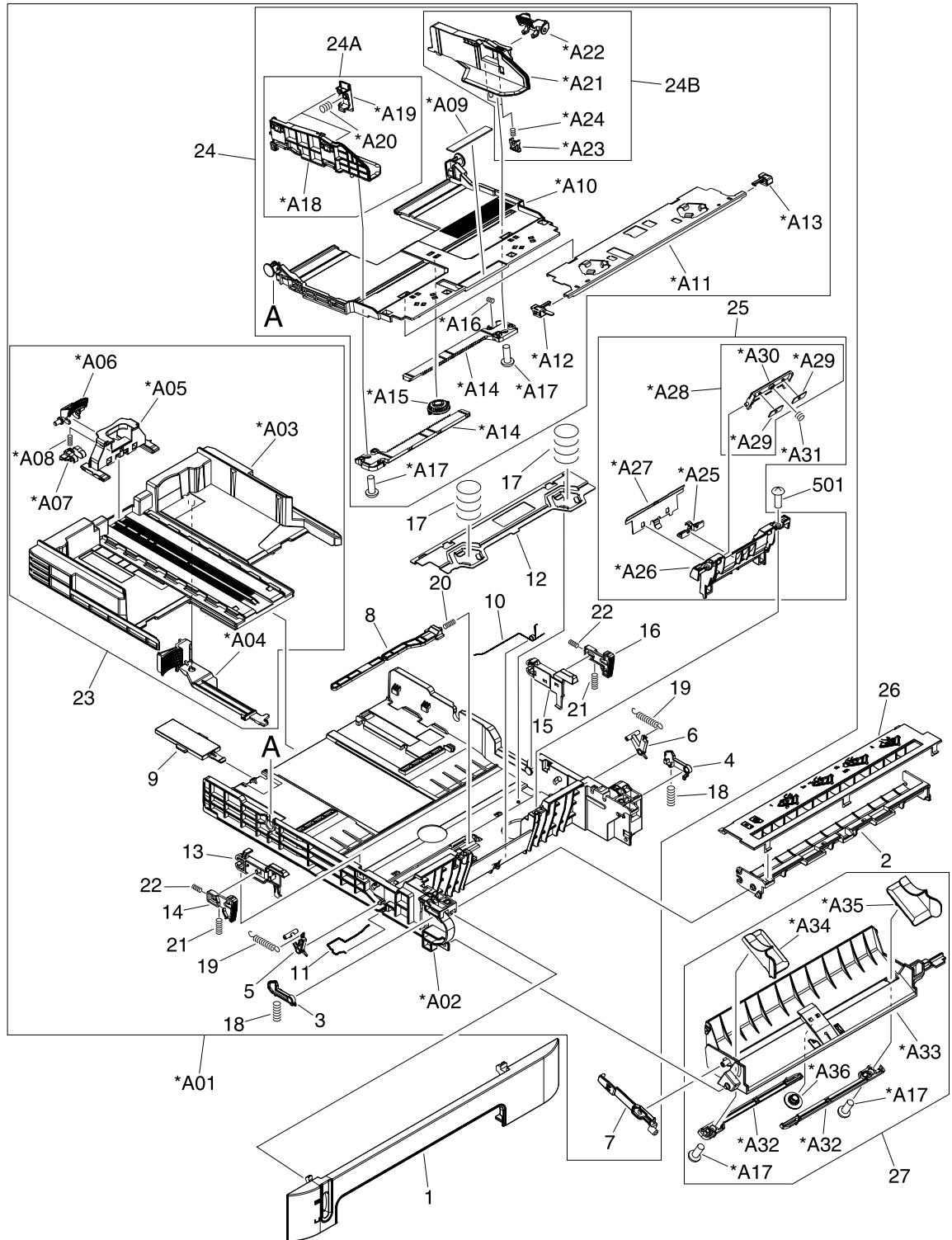


Figure 7-12 Tray 2 input tray (cassette)

Table 7-15 Tray 2 input tray (cassette)

Ref	Description	Part number	Qty
	* Not set up as a service part		
	CASSETTE	RM1-1916-000CN	1
1	PANEL, FRONT	*	1
2	GUIDE, CASSETTE DUPLEX, LOWER	*	1
3	STOPPER, CASSETTE, LEFT	*	1
4	STOPPER, CASSETTE, RIGHT	*	1
5	ARM, CLAW RELEASE, LEFT	*	1
6	ARM, CLAW RELEASE, RIGHT	*	1
7	ARM, REMNANT INDICATION	*	1
8	ARM, PLATE LOCK RELEASE, MD.	*	1
9	SIZE PLATE, PAPER	*	1
10	SPRING, GROUNDING	*	1
11	SPRING, GROUNDING	*	1
12	PLATE, CASSETTE REINFORCEMENT	*	1
13	ARM, MD. PLATE RELEASE, LEFT	*	1
14	CLAW, MD. PLATE RELEASE, LEFT	*	1
15	ARM, MD. PLATE RELEASE, RIGHT	*	1
16	CLAW, MD. PLATE RELEASE, RIGHT	*	1
17	SPRING, COMPRESSION	*	2
18	SPRING, COMPRESSION	*	2
19	SPRING, TENSION	*	2
20	SPRING, COMPRESSION	*	1
21	SPRING, COMPRESSION	*	2
22	SPRING, COMPRESSION	*	2
23	BACK END LIMIT PLATE ASS'Y	*	1
24	MIDDLE PLATE ASS'Y	*	1
24A	LEFT PAPER SIDE END ASS'Y	*	1
24B	RIGHT PAPER SIDE END ASS'Y	*	1
25	SEPARATION ASS'Y	RM1-1922-000CN	1
26	GUIDE, CASSETTE DUPLEX, UPPER	*	1
27	FEED ASS'Y	RM1-1923-000CN	1
501	SCREW, TAPPING, TRUSS HEAD, M4X8	*	2
A01	CASSETTE BODY ASS'Y	*	1
A02	BODY, CASSETTE	*	1

Ref	Description	Part number	Qty
A03	PLATE, BACK END LIMIT, LARGE	*	1
A04	ARM, BACK END LOCK	*	1
A05	PLATE, BACK END LIMIT, SMALL	*	1
A06	LEVER, BACK END LOCK RELEASE	*	1
A07	STOPPER, BACK END LIMIT	*	1
A08	SPRING, COMPRESSION	*	1
A09	SHEET, SEPARATION	*	1
A10	PLATE, MIDDLE	*	1
A11	PLATE, REINFORCEMENT	*	1
A12	CLAW, MIDDLE PLATE, LEFT	*	1
A13	CLAW, MIDDLE PLATE, RIGHT	*	1
A14	RACK	*	2
A15	GEAR, 22T	*	1
A16	SPRING, COMPRESSION	*	1
A17	SCREW, TAPPING,TRUSS HEAD,M3X6	*	2
A17	SCREW, TAPPING,TRUSS HEAD,M3X6	*	2
A19	HOLDER, PAPER RETAINING	*	2
A20	SPRING, COMPRESSION	*	2
A21	PLATE, PAPER SIDE END, RIGHT	*	1
A22	LEVER, SIDE END LOCK RELEASE	*	1
A23	STOPPER, PAPER SIDE END	*	2
A24	SPRING, COMPRESSION	*	2
A25	HOLDER, PAD	*	1
A26	HOLDER, SEPARATION	*	1
A27	PLATE, PAPER GUIDE	*	1
A28	HOLDER, PAD	*	1
A29	WEIGHT, PAD	*	2
A30	HOLDER, PAD	*	1
A31	SPRING, COMPRESSION	*	1
A32	RACK, MANUAL FEED	*	2
A33	GUIDE, MANUAL FEED	*	1
A34	GUIDE, FEED WIDTH, LEFT	*	1
A35	GUIDE, FEED WIDTH, RIGHT	*	1
A36	GEAR, 16T	*	1

ASSEMBLY LOCATION DIAGRAM

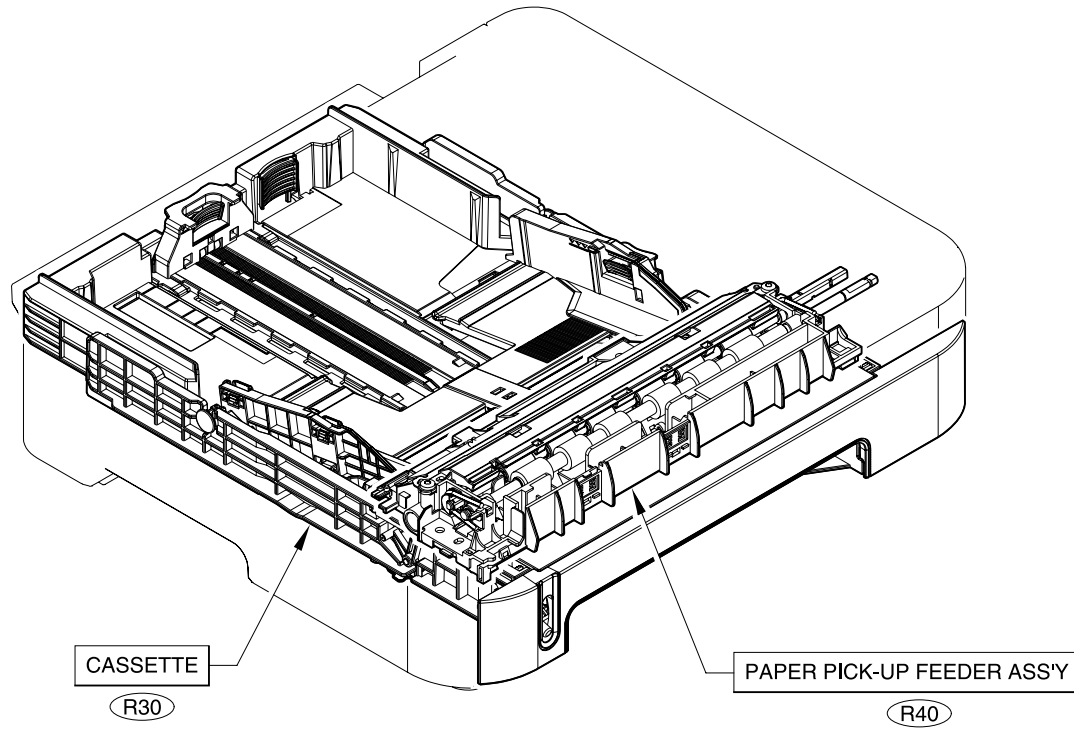


Figure 7-13 250-sheet input tray (cassette)

Table 7-16 250-sheet input tray (cassette)

Ref	Description	Part number	Qty
	* Not set up as a service part		
R30	CASSETTE	RM1-1945-000CN	RF
R40	PAPER PICKUP ROLLER	RC1-5440-000CN	RF

INTERNAL COMPONENTS

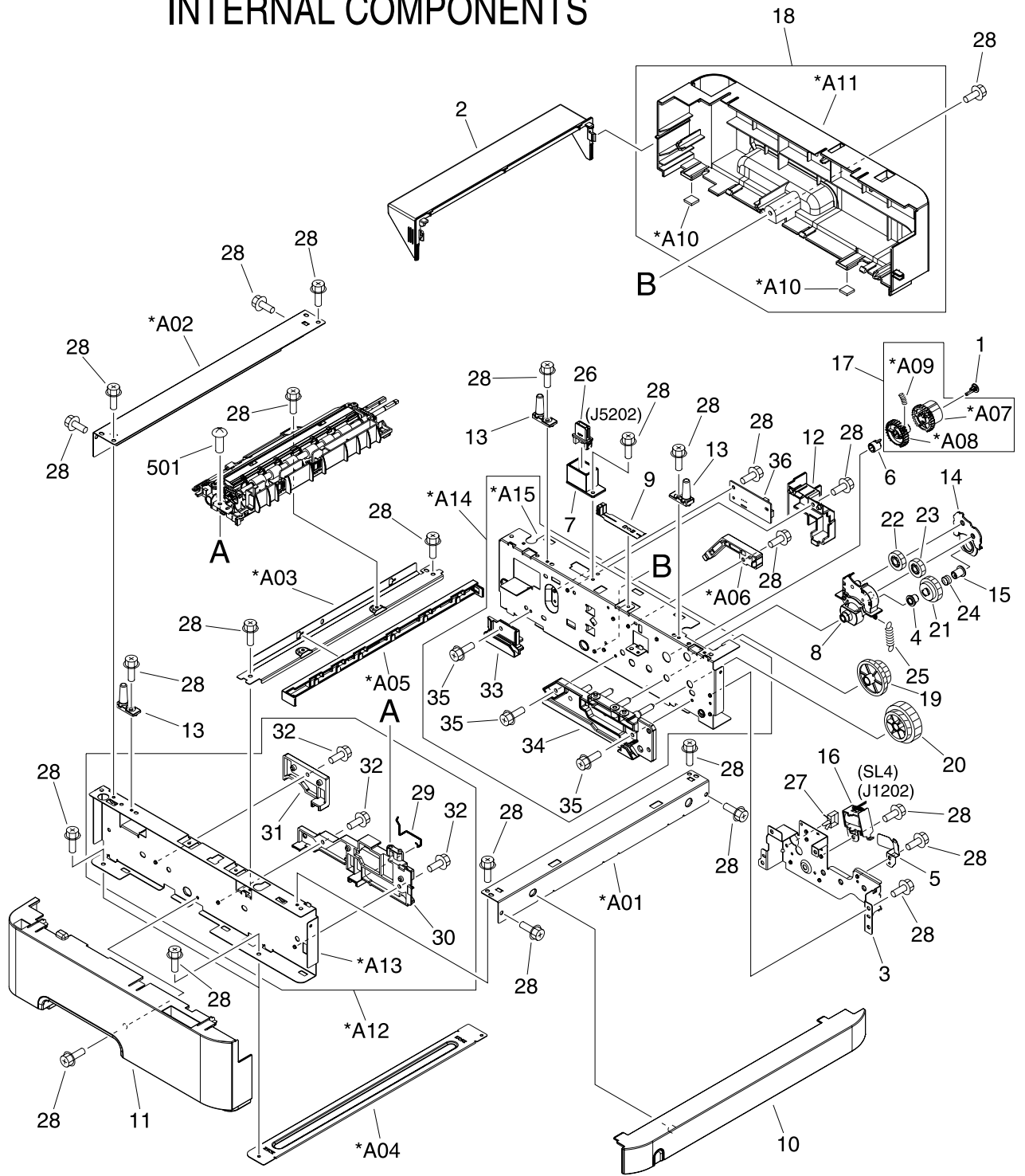


Figure 7-14 Tray 2 input tray internal components

Table 7-17 Tray 2 sheet input tray internal components

Ref	Description	Part number	Qty
	* Not set up as a service part		
	INTERNAL COMPONENTS	*	RF
1	CAP, CONTINUITY	*	1
2	COVER, CASSETTE DUST	RC1-5200-000CN	1
3	BASE, MOTOR	*	1
4	CLUTCH, MECHANICAL	*	1
5	SPRING, LEAF	*	1
6	BUSHING	*	1
7	HOLDER, DRAWER CONNECTOR	*	1
8	HOLDER, SWING GEAR	*	1
9	PLATE, GROUNDING	*	1
10	COVER, OPTION FRONT	*	1
11	COVER, OPTION LEFT	*	1
12	COVER, PCB	*	1
13	SHAFT, POSITIONING	*	3
14	COVER, SWING GEAR	*	1
15	STOP, CLUTCH	*	1
16	SOLENOID	*	1
17	PICKUP GEAR ASS'Y	*	1
18	COVER, OPTION RIGHT	*	1
19	GEAR, 47T/26T	*	1
20	GEAR, 40T/43T	*	1
21	CAM/GEAR, 26T	*	1
22	GEAR, 19T	*	1
23	GEAR, 18T	*	1
24	SPRING, COMPRESSION	*	1
25	SPRING, TENSION	*	1
26	CONNECTOR, DRAWER	*	1
27	SADDLE, WIRE	*	1
28	SCREW, RS, M3X8	*	32
29	SPRING, GROUNDING	*	1
30	GUIDE, CASSETTE, FRONT LEFT	*	1
31	GUIDE, CASSETTE, REAR LEFT	*	1
32	SCREW, RS, M3X8	*	3

Ref	Description	Part number	Qty
33	GUIDE, CASSETTE, REAR RIGHT	*	1
34	GUIDE, CASSETTE, FRONT RIGHT	*	1
35	SCREW, RS, M3X8	*	3
36	PAPER FEEDER PCB ASS'Y	*	1
501	SCREW, TAPPING, TRUSS HEAD, M4X8	*	2
A01	CROSSMEMBER, FRONT	*	1
A02	CROSSMEMBER, REAR	*	1
A03	CROSSMEMBER, MIDDLE	*	1
A04	CROSSMEMBER, LOWER, REAR	*	2
A05	GUIDE, PAPER SENSOR CABLE, 1	*	1
A06	GUIDE, PAPER SENSOR CABLE, 2	*	1
A07	GEAR, 29T	*	1
A08	GEAR, 29T	*	1
A09	SPRING, COMPRESSION	*	1
A10	FOOT, RUBBER	*	2
A11	COVER, OPTION RIGHT	*	1
A12	OPTION FRAME LEFT ASS'Y	*	1
A13	FRAME, OPTION, LEFT	*	1
A14	OPTION FRAME RIGHT ASS'Y	*	1
A15	FRAME, OPTION, RIGHT	*	1

PAPER PICK-UP FEEDER ASS'Y

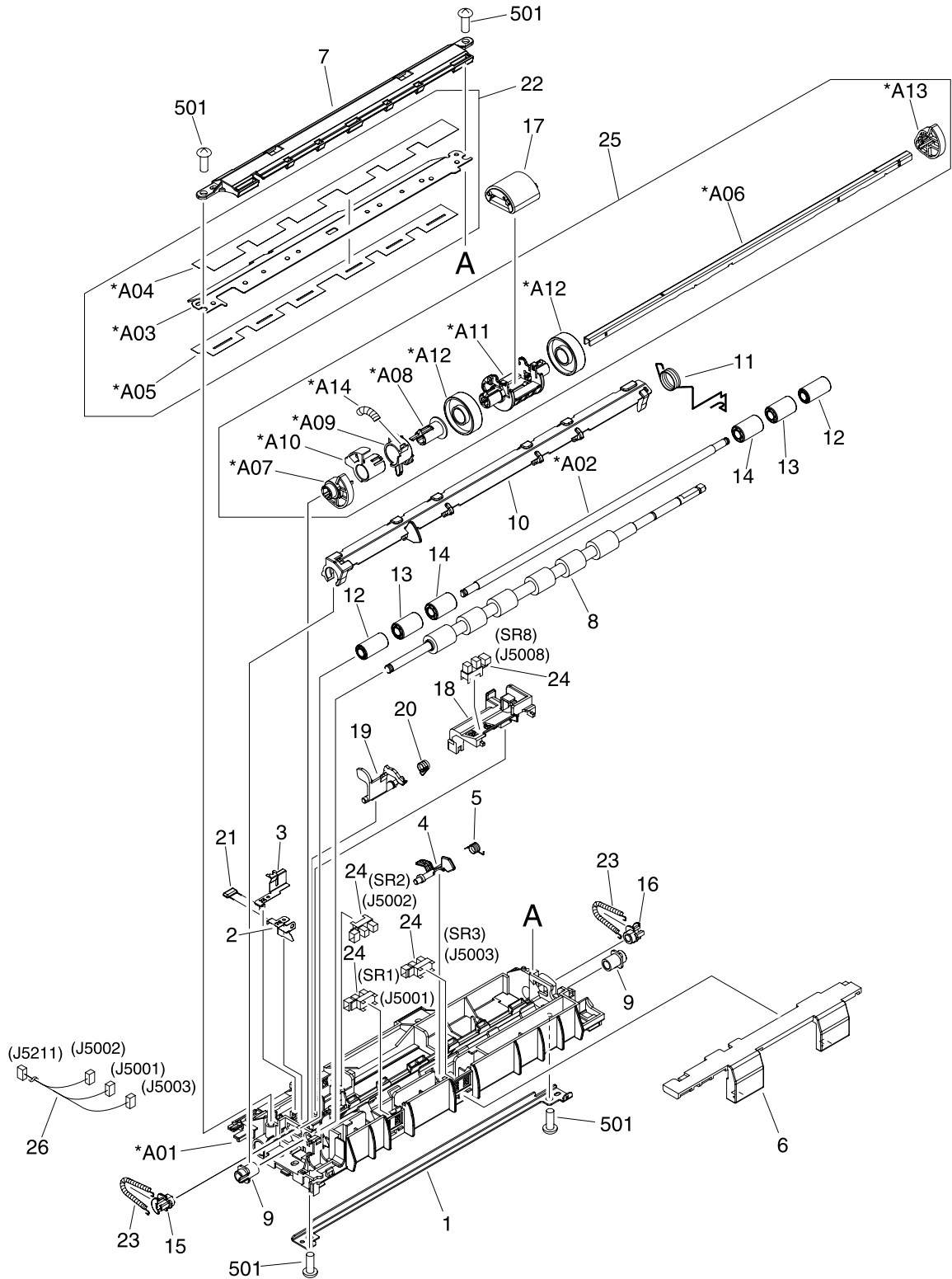


Figure 7-15 Paper pick-up feeder assembly for Tray 2

Table 7-18 Paper pick-up feeder assembly for Tray 2

Ref	Description	Part number	Qty
	* Not set up as a service part		
	PAPER PICKUP FEEDER ASS'Y	*	1
1	GUIDE, REGISTRATION	*	1
2	PLATE, REG. GROUNDING, 1	*	1
3	PLATE, REG. GROUNDING, 2	*	1
4	FLAG, SENSOR	*	1
5	SPRING, TORSION	*	1
6	COVER, SENSOR, TOP	*	1
7	GUIDE, PRE-TRANSFER	*	1
8	ROLLER, REGISTRATION DRIVE	*	1
9	BUSHING	*	2
10	SHUTTER, REGISTRATION	*	1
11	SPRING, TORSION	*	1
12	ROLLER, REGISTRATION, A	*	2
13	ROLLER, REGISTRATION, B	*	2
14	ROLLER, REGISTRATION, C	*	2
15	BUSHING	*	1
16	BUSHING	*	1
17	ROLLER, PAPER PICKUP	RC1-5440-000CN	1
18	HOLDER, PAPER WIDTH SENSOR	*	1
19	FLAG, PAPER WIDTH SENSOR	*	1
20	SPRING, TORSION	*	1
21	RESISTOR, 400 OHM, 0.5W	*	1
22	COVER, PICKUP FEED FRAME	*	1
23	SPRING, TENSION	*	2
24	PHOTO INTERRUPTER (SENSOR)	*	4
25	PAPER PICKUP DRIVE ASS'Y	*	1
26	FEEDER UNIT CABLE	*	1
501	SCREW, TAPPING, TRUSS HEAD, M4X8	*	4
A01	FRAME, PAPER PICKUP FEEDER	*	1
A02	SHAFT, REGISTRATION ROLLER	*	1
A03	COVER, PICKUP FEED FRAME	*	1
A04	SHEET, SCRAPER, 1	*	1
A05	SHEET, SCRAPER, 2	*	1

Ref	Description	Part number	Qty
A06	SHAFT, PAPER PICKUP DRIVE	*	1
A07	BUSHING	*	1
A08	BUSHING	*	1
A09	ARM, CST. PAPER SENSING, 1	*	1
A10	ARM, CST. PAPER SENSING, 2	*	1
A11	HOLDER, PAPER PICKUP ROLLER	*	1
A12	ROLLER, CASSETTE PAPER PICKUP	*	2
A13	BUSHING	*	1
A14	SPRING, COMPRESSION	*	1

CASSETTE

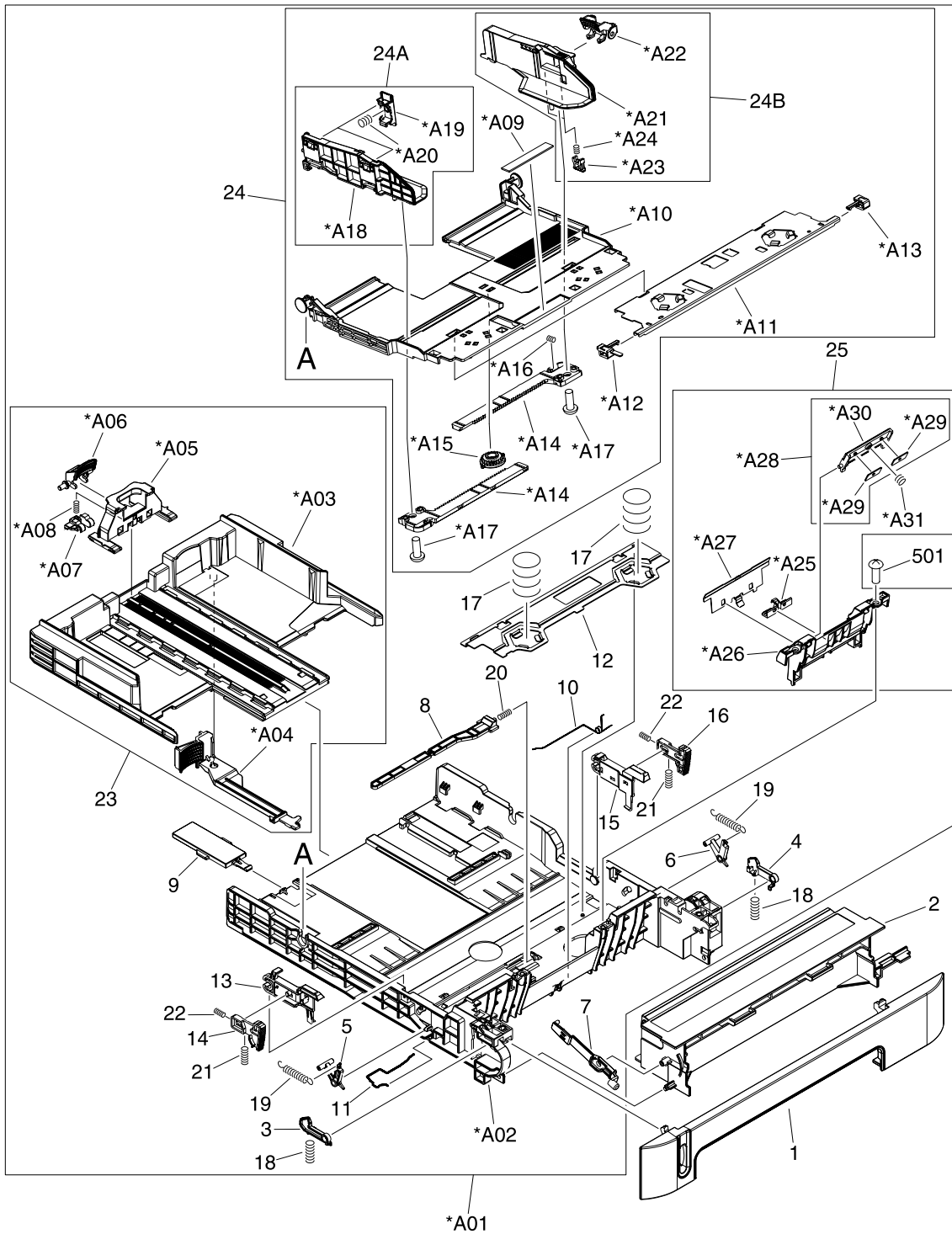


Figure 7-16 Tray 3 input tray (cassette)

Table 7-19 Tray 3 input tray (cassette)

Ref	Description	Part number	Qty
	* Not set up as a service part		
	CASSETTE	RM1-1945-000CN	1
	PAPER PICKUP ROLLER	RC1-5440-000CN	
1	PANEL, FRONT	*	1
2	FRAME, FRONT	*	1
3	STOPPER, CASSETTE, LEFT	*	1
4	STOPPER, CASSETTE, RIGHT	*	1
5	ARM, CLAW RELEASE, LEFT	*	1
6	ARM, CLAW RELEASE, RIGHT	*	1
7	ARM, REMNANT INDICATION	*	1
8	ARM, PLATE LOCK RELEASE, MD	*	1
9	SIZE PLATE, PAPER	*	1
10	SPRING, GROUNDING	*	1
11	SPRING, GROUNDING	*	1
12	PLATE, CASSETTE REINFORCEMENT	*	1
13	ARM, MD. PLATE RELEASE, LEFT	*	1
14	CLAW, MD. PLATE RELEASE, LEFT	*	1
15	ARM, MD. PLATE RELEASE, RIGHT	*	1
16	CLAW, MD. PLATE RELEASE, RIGHT	*	1
17	SPRING, COMPRESSION	*	2
18	SPRING, COMPRESSION	*	2
19	SPRING, TENSION	*	2
20	SPRING, COMPRESSION	*	1
21	SPRING, COMPRESSION	*	2
22	SPRING, COMPRESSION	*	2
23	BACK END LIMIT PLATE ASS'Y	*	1
24	MIDDLE PLATE ASS'Y	*	1
24A	LEFT PAPER SIDE END ASS'Y	*	1
24B	RIGHT PAPER SIDE END ASS'Y	*	1
25	SEPARATION ASS'Y	RM1-1922-000CN	1
501	SCREW, TAPPING, TRUSS HEAD, M4X8	*	2
A01	CASSETTE BODY ASS'Y	*	1
A02	BODY, CASSETTE	*	1
A03	PLATE, BACK END LIMIT, LARGE	*	1

Ref	Description	Part number	Qty
A04	ARM, BACK END LOCK	*	1
A05	PLATE, BACK END LIMIT, SMALL	*	1
A06	LEVER, BACK END LOCK RELEASE	*	1
A07	STOPPER, BACK END LIMIT	*	1
A08	SPRING, COMPRESSION	*	1
A09	SHEET, SEPARATION	*	1
A10	PLATE, MIDDLE	*	1
A11	PLATE, REINFORCEMENT	*	1
A12	CLAW, MIDDLE PLATE, LEFT	*	1
A13	CLAW, MIDDLE PLATE, RIGHT	*	1
A14	RACK	*	2
A15	GEAR, 22T	*	1
A16	SPRING, COMPRESSION	*	1
A17	SCREW, TAPPING, TRUSS HEAD, M3X6	*	2
A18	PLATE, PAPER SIDE END, LEFT	*	1
A19	HOLDER, PAPER RETAINING	*	2
A20	SPRING, COMPRESSION	*	2
A21	PLATE, PAPER SIDE END, RIGHT	*	1
A22	LEVER, SIDE END LOCK RELEASE	*	1
A23	STOPPER, PAPER SIDE END	*	2
A24	SPRING, COMPRESSION	*	2
A25	HOLDER, PAD	*	1
A26	HOLDER, SEPARATION	*	1
A27	PLATE, PAPER GUIDE	*	1
A28	HOLDER, PAD	*	1
A29	WEIGHT, PAD	*	2
A30	HOLDER, PAD	*	1
A31	SPRING, COMPRESSION	*	1

PAPER PICK-UP FEEDER ASS'Y

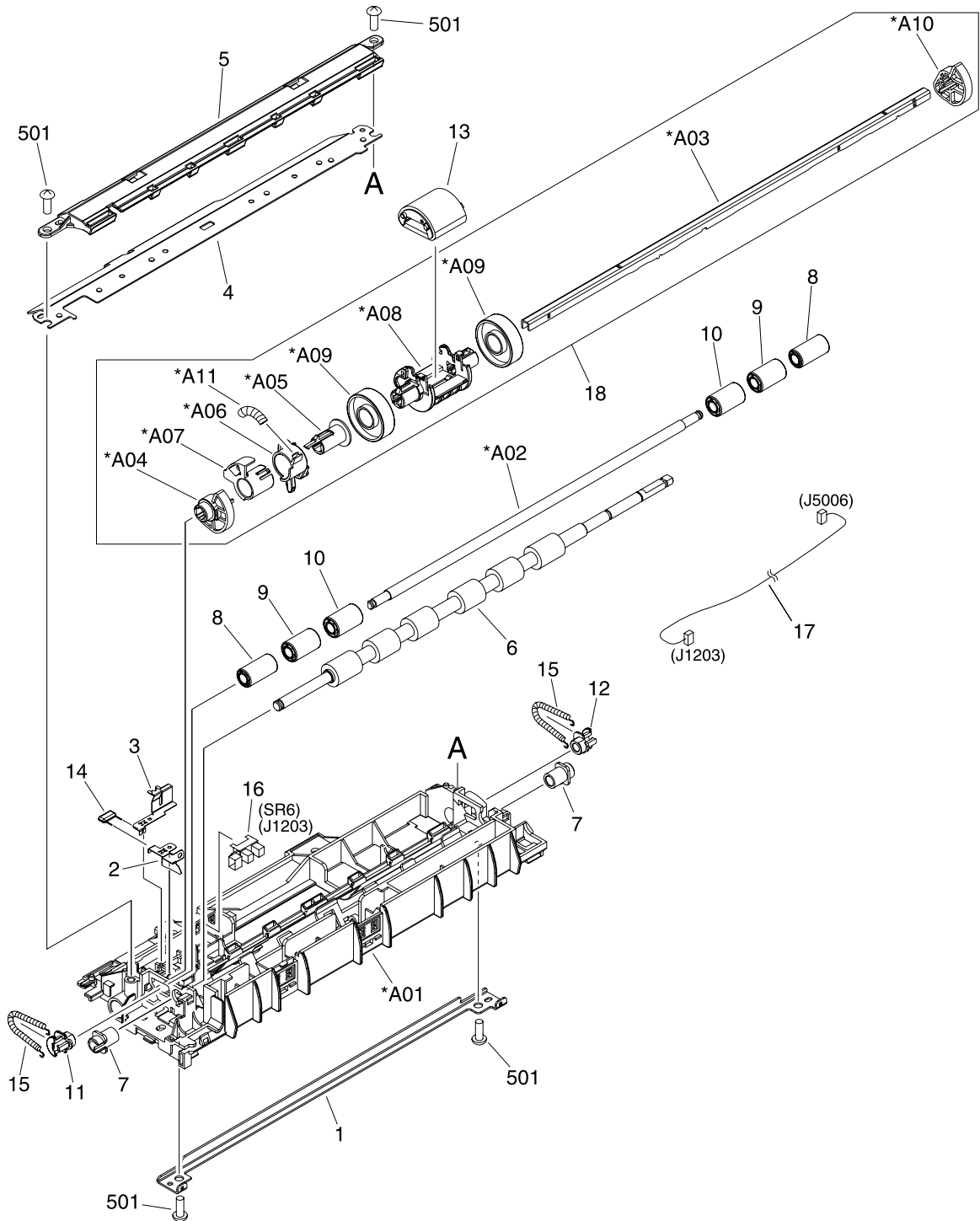


Figure 7-17 Paper pickup feeder assembly (Tray 3)

Table 7-20 Paper pickup feeder assembly (Tray 3)

Ref	Description	Part number	Qty
	* Not set up as a service part		
	PAPER PICKUP ROLLER	RC1-5440-000CN	1
1	GUIDE, REGISTRATION	*	1
2	PLATE, REG. GROUNDING, 1	*	1
3	PLATE, REG. GROUNDING, 2	*	1
4	COVER, PICKUP FEED FRAME	*	1
5	GUIDE, PRE-TRANSFER	*	1
6	ROLLER, REGISTRATION DRIVE	*	1
7	BUSHING	*	2
8	ROLLER, REGISTRATION, A	*	2
9	ROLLER, REGISTRATION, B	*	2
10	ROLLER, REGISTRATION, C	*	2
11	BUSHING	*	1
12	BUSHING	*	1
13	ROLLER, PAPER PICKUP	RC1-5440-000CN	1
14	RESISTOR, 400 OHM, 0.5W	*	1
15	SPRING, TENSION	*	2
16	PHOTO INTERRUPTER (SENSOR)	*	1
17	CABLE, OPTION SENSOR	*	1
18	PAPER PICKUP DRIVE ASS'Y	*	1
501	SCREW, TAPPING, TRUSS HEAD, M4X8	*	4
A01	FRAME, PAPER PICKUP FEEDER	*	1
A02	SHAFT, REGISTRATION ROLLER	*	1
A03	SHAFT, PAPER PICKUP DRIVE	*	1
A04	BUSHING	*	1
A05	BUSHING	*	1
A06	ARM, CST. PAPER SENSING, 1	*	1
A07	ARM, CST. PAPER SENSING, 2	*	1
A08	HOLDER, PAPER PICKUP ROLLER	*	1
A09	ROLLER, CASSETTE PAPER PICKUP	*	2
A10	BUSHING	*	1
A11	SPRING, COMPRESSION	*	1

PCB ASS'Y LOCATION DIAGRAM

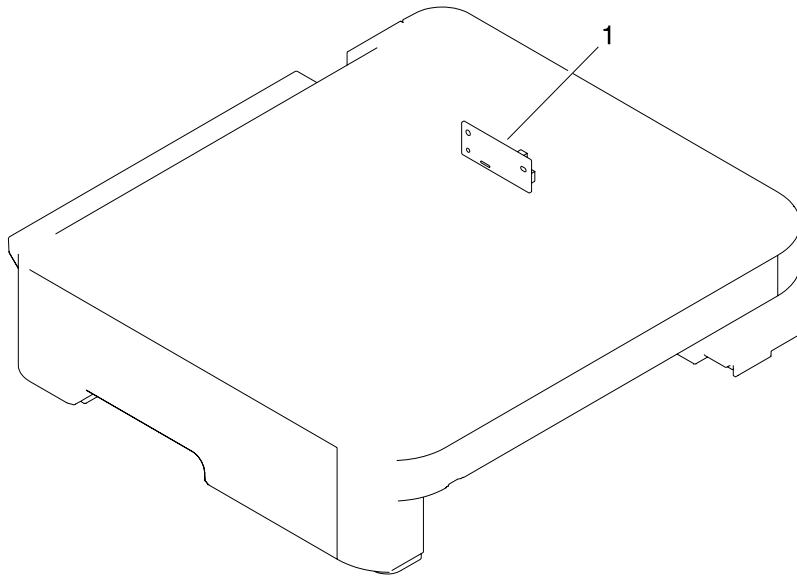


Figure 7-18 PCB assembly location optional Tray 3

Table 7-21 Paper pickup feeder assembly (Tray 3)

Ref	Description	Part number	Qty
	* Not set up as a service part		
	PCB ASS'Y LOCATION DIAGRAM	*	RF
1	PAPER FEEDER PCB ASS'Y	*	1

Diagrams

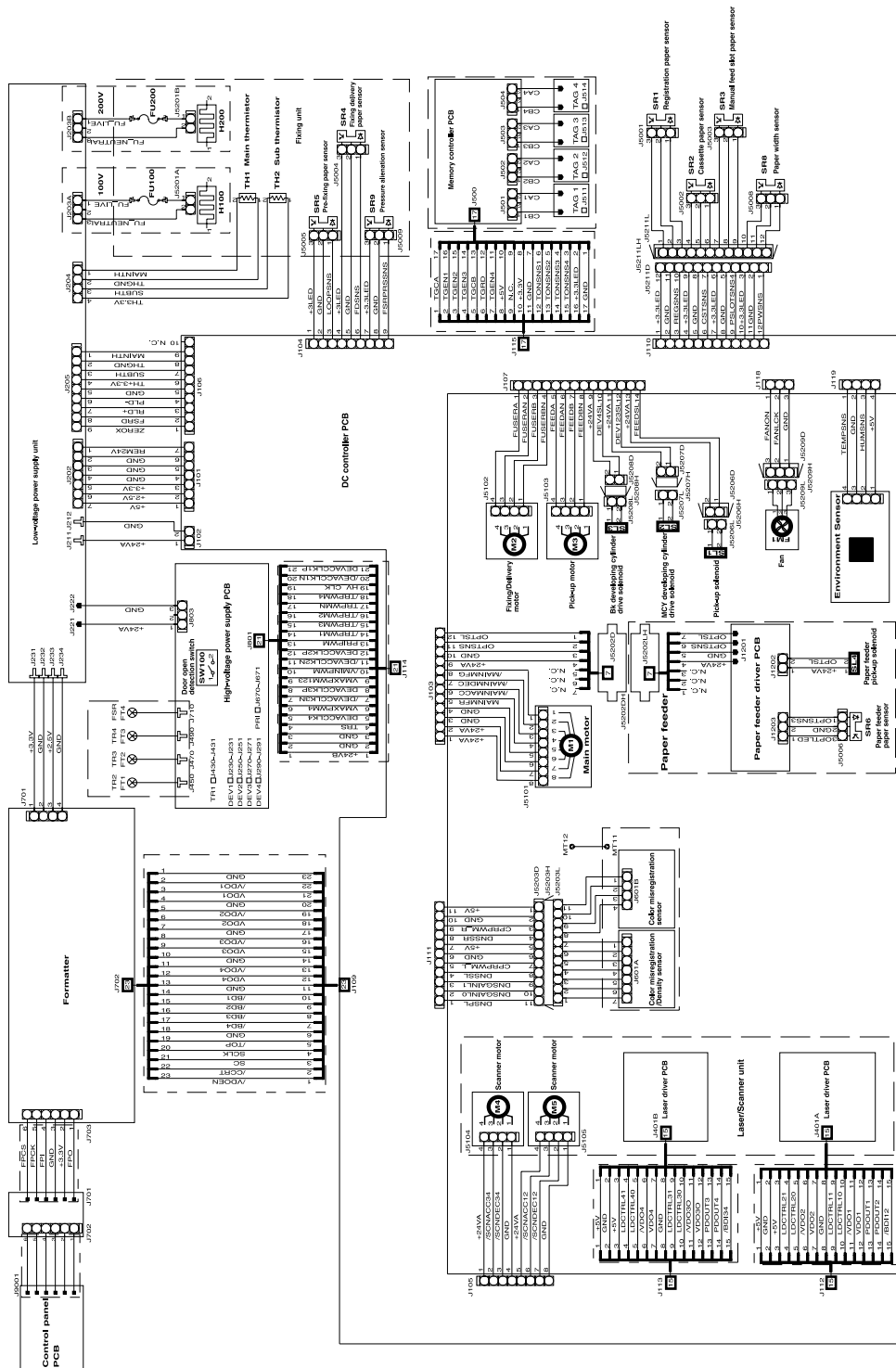


Figure 7-19 General circuit diagram

Alphabetical parts list

Table 7-22 Alphabetical parts list

Description	Part number	Table and page
* Not set up as a service part		Assembly locations on page 157
* Not set up as a service part		External panels and covers (1 of 2) on page 159
* Not set up as a service part		External panels and covers (2 of 2) on page 161
* Not set up as a service part		Upper assembly cover on page 163
* Not set up as a service part		Internal components (1 of 3) on page 165
* Not set up as a service part		Internal components (2 of 3) on page 169
* Not set up as a service part		Internal components (3 of 3) on page 173
* Not set up as a service part		Control panel assembly on page 177
* Not set up as a service part		Main drive assembly on page 179
* Not set up as a service part		Fuser assembly on page 183
* Not set up as a service part		PCB assembly location Tray 2 on page 187
* Not set up as a service part		Tray 2 input tray (cassette) on page 189
* Not set up as a service part		250-sheet input tray (cassette) on page 193
* Not set up as a service part		Tray 2 sheet input tray internal components on page 195
* Not set up as a service part		Paper pick-up feeder assembly for Tray 2 on page 199
* Not set up as a service part		Tray 3 input tray (cassette) on page 203
* Not set up as a service part		Paper pickup feeder assembly (Tray 3) on page 207
* Not set up as a service part		Paper pickup feeder assembly (Tray 3) on page 209
ARM, BACK END LOCK	*	Tray 2 input tray (cassette) on page 189
ARM, BACK END LOCK	*	Tray 3 input tray (cassette) on page 203

Table 7-22 Alphabetical parts list (continued)

Description	Part number	Table and page
ARM, CLAW RELEASE, LEFT	*	Tray 2 input tray (cassette) on page 189
ARM, CLAW RELEASE, LEFT	*	Tray 3 input tray (cassette) on page 203
ARM, CLAW RELEASE, RIGHT	*	Tray 2 input tray (cassette) on page 189
ARM, CLAW RELEASE, RIGHT	*	Tray 3 input tray (cassette) on page 203
ARM, CST. PAPER SENSING, 1	*	Paper pick-up feeder assembly for Tray 2 on page 199
ARM, CST. PAPER SENSING, 1	*	Paper pickup feeder assembly (Tray 3) on page 207
ARM, CST. PAPER SENSING, 2	*	Paper pick-up feeder assembly for Tray 2 on page 199
ARM, CST. PAPER SENSING, 2	*	Paper pickup feeder assembly (Tray 3) on page 207
ARM, FRONT DOOR, LEFT	*	External panels and covers (2 of 2) on page 161
ARM, FRONT DOOR, RIGHT	*	External panels and covers (2 of 2) on page 161
ARM, INTERLOCK SWITCH	*	Internal components (1 of 3) on page 165
ARM, LASER SHUTTER	*	Internal components (1 of 3) on page 165
ARM, MD. PLATE RELEASE, LEFT	*	Tray 2 input tray (cassette) on page 189
ARM, MD. PLATE RELEASE, LEFT	*	Tray 3 input tray (cassette) on page 203
ARM, MD. PLATE RELEASE, RIGHT	*	Tray 2 input tray (cassette) on page 189
ARM, MD. PLATE RELEASE, RIGHT	*	Tray 3 input tray (cassette) on page 203
ARM, OPEN/CLOSE	*	Internal components (1 of 3) on page 165
ARM, OPEN/CLOSE	*	Internal components (1 of 3) on page 165
ARM, PAPER RETAINER, LEFT	RC1-5096-000CN	Internal components (2 of 3) on page 169
ARM, PAPER RETAINER, RIGHT	RC1-5097-000CN	Internal components (2 of 3) on page 169
ARM, PLATE LOCK RELEASE, MD	*	Tray 3 input tray (cassette) on page 203

Table 7-22 Alphabetical parts list (continued)

Description	Part number	Table and page
ARM, PLATE LOCK RELEASE, MD.	*	Tray 2 input tray (cassette) on page 189
ARM, REMNANT INDICATION	*	Tray 2 input tray (cassette) on page 189
ARM, REMNANT INDICATION	*	Tray 3 input tray (cassette) on page 203
BACK END LIMIT PLATE ASS'Y	*	Tray 2 input tray (cassette) on page 189
BACK END LIMIT PLATE ASS'Y	*	Tray 3 input tray (cassette) on page 203
BASE PLATE, FIXING	*	Fuser assembly on page 183
BASE, MOTOR	*	Internal components (2 of 3) on page 169
BASE, MOTOR	*	Tray 2 sheet input tray internal components on page 195
BELT, TRANSMISSION	*	Main drive assembly on page 179
BODY, CASSETTE	*	Tray 2 input tray (cassette) on page 189
BODY, CASSETTE	*	Tray 3 input tray (cassette) on page 203
BRACKET, CARD READER	*	Internal components (1 of 3) on page 165
BRACKET, LEFT REAR	*	Internal components (1 of 3) on page 165
BRACKET, RIGHT REAR	*	Internal components (1 of 3) on page 165
BUSHING	*	External panels and covers (2 of 2) on page 161
BUSHING	*	Internal components (1 of 3) on page 165
BUSHING	*	Internal components (1 of 3) on page 165
BUSHING	*	Internal components (1 of 3) on page 165
BUSHING	*	Internal components (2 of 3) on page 169
BUSHING	*	Main drive assembly on page 179
BUSHING	*	Main drive assembly on page 179
BUSHING	*	Main drive assembly on page 179

Table 7-22 Alphabetical parts list (continued)

Description	Part number	Table and page
BUSHING	*	Main drive assembly on page 179
BUSHING	*	Fuser assembly on page 183
BUSHING	*	Fuser assembly on page 183
BUSHING	*	Fuser assembly on page 183
BUSHING	*	Fuser assembly on page 183
BUSHING	*	Fuser assembly on page 183
BUSHING	*	Tray 2 sheet input tray internal components on page 195
BUSHING	*	Paper pick-up feeder assembly for Tray 2 on page 199
BUSHING	*	Paper pick-up feeder assembly for Tray 2 on page 199
BUSHING	*	Paper pick-up feeder assembly for Tray 2 on page 199
BUSHING	*	Paper pick-up feeder assembly for Tray 2 on page 199
BUSHING	*	Paper pick-up feeder assembly for Tray 2 on page 199
BUSHING	*	Paper pick-up feeder assembly for Tray 2 on page 199
BUSHING	*	Paper pickup feeder assembly (Tray 3) on page 207
BUSHING	*	Paper pickup feeder assembly (Tray 3) on page 207
BUSHING	*	Paper pickup feeder assembly (Tray 3) on page 207
BUSHING	*	Paper pickup feeder assembly (Tray 3) on page 207
BUSHING	*	Paper pickup feeder assembly (Tray 3) on page 207
BUSHING	*	Paper pickup feeder assembly (Tray 3) on page 207
BUTTON, CONTROL PANEL, 1	*	Control panel assembly on page 177
BUTTON, CONTROL PANEL, 2	*	Control panel assembly on page 177

Table 7-22 Alphabetical parts list (continued)

Description	Part number	Table and page
BUTTON, CONTROL PANEL, 3	*	Control panel assembly on page 177
CABLE, CPR	*	Internal components (3 of 3) on page 173
CABLE, FLAT	*	Internal components (3 of 3) on page 173
CABLE, FLAT	*	Internal components (3 of 3) on page 173
CABLE, FLAT	*	Internal components (3 of 3) on page 173
CABLE, OPTION SENSOR	*	Paper pickup feeder assembly (Tray 3) on page 207
CAM, HINGE, RIGHT	*	Internal components (2 of 3) on page 169
CAM, LEFT	*	Internal components (2 of 3) on page 169
CAM, PRESSURE RELEASE	*	Fuser assembly on page 183
CAM, RELEASE	*	Main drive assembly on page 179
CAM/GEAR, 26T	*	Internal components (2 of 3) on page 169
CAM/GEAR, 26T	*	Tray 2 sheet input tray internal components on page 195
CAP, CONTINUITY	*	Tray 2 sheet input tray internal components on page 195
CAP, SHAFT CONDUCTIVE	*	Internal components (2 of 3) on page 169
CASSETTE	RM1-1916-000CN	Assembly locations on page 157
CASSETTE	RM1-1916-000CN	Tray 2 input tray (cassette) on page 189
CASSETTE	RM1-1945-000CN	250-sheet input tray (cassette) on page 193
CASSETTE	RM1-1945-000CN	Tray 3 input tray (cassette) on page 203
CASSETTE BODY ASS'Y	*	Tray 2 input tray (cassette) on page 189
CASSETTE BODY ASS'Y	*	Tray 3 input tray (cassette) on page 203
CLAMP, FFC	*	Internal components (1 of 3) on page 165

Table 7-22 Alphabetical parts list (continued)

Description	Part number	Table and page
CLAMP, FFC	*	Internal components (3 of 3) on page 173
CLAW, MD. PLATE RELEASE, LEFT	*	Tray 2 input tray (cassette) on page 189
CLAW, MD. PLATE RELEASE, LEFT	*	Tray 3 input tray (cassette) on page 203
CLAW, MD. PLATE RELEASE, RIGHT	*	Tray 2 input tray (cassette) on page 189
CLAW, MD. PLATE RELEASE, RIGHT	*	Tray 3 input tray (cassette) on page 203
CLAW, MIDDLE PLATE, LEFT	*	Tray 2 input tray (cassette) on page 189
CLAW, MIDDLE PLATE, LEFT	*	Tray 3 input tray (cassette) on page 203
CLAW, MIDDLE PLATE, RIGHT	*	Tray 2 input tray (cassette) on page 189
CLAW, MIDDLE PLATE, RIGHT	*	Tray 3 input tray (cassette) on page 203
CLIP, CABLE	*	External panels and covers (1 of 2) on page 159
CLIP, CABLE	*	External panels and covers (2 of 2) on page 161
CLIP, CABLE	*	Main drive assembly on page 179
CLIP, EDGE	*	Main drive assembly on page 179
CLIP, ENTRANCE GUIDE	*	Fuser assembly on page 183
CLUTCH, MECHANICAL	*	Internal components (2 of 3) on page 169
CLUTCH, MECHANICAL	*	Tray 2 sheet input tray internal components on page 195
COLLAR, SPRING	*	Main drive assembly on page 179
CONNECTOR, 2P	*	Main drive assembly on page 179
CONNECTOR, DRAWER	*	Internal components (3 of 3) on page 173
CONNECTOR, DRAWER	*	Tray 2 sheet input tray internal components on page 195
CONNECTOR, SNAP TIGHT	*	External panels and covers (1 of 2) on page 159

Table 7-22 Alphabetical parts list (continued)

Description	Part number	Table and page
CONNECTOR, SNAP TIGHT	*	External panels and covers (2 of 2) on page 161
CONNECTOR, SNAP TIGHT, BK	*	External panels and covers (1 of 2) on page 159
CONNECTOR, SNAP TIGHT, BK	*	External panels and covers (2 of 2) on page 161
CONNECTOR, SNAP TIGHT, BK	*	Internal components (3 of 3) on page 173
CONNECTOR, SNAP TIGHT, BK	*	Internal components (3 of 3) on page 173
CONNECTOR, SNAP TIGHT, BK	*	Main drive assembly on page 179
CONTROL PANEL ASS'Y	RM1-1983-000CN	Control panel assembly on page 177
CONTROL PANEL ASSEMBLY	RM1-1983-000CN	Assembly locations on page 157
CONTROL PANEL PCB ASS'Y	*	Control panel assembly on page 177
CONTROL PANEL PCB ASS'Y	*	Control panel assembly on page 177
COVER, CASSETTE DUST	RC1-5200-000CN	External panels and covers (1 of 2) on page 159
COVER, CASSETTE DUST	RC1-5200-000CN	External panels and covers (2 of 2) on page 161
COVER, CASSETTE DUST	RC1-5200-000CN	Tray 2 sheet input tray internal components on page 195
COVER, CASSETTE, LEFT	RC1-5184-000CN	External panels and covers (1 of 2) on page 159
COVER, CASSETTE, RIGHT	RC1-5188-000CN	External panels and covers (2 of 2) on page 161
COVER, CONTROLLER	*	Internal components (3 of 3) on page 173
COVER, DRUM	*	Main drive assembly on page 179
COVER, FACE-DOWN	RC1-5173-000CN	External panels and covers (1 of 2) on page 159
COVER, INSIDE, LEFT	*	Internal components (1 of 3) on page 165
COVER, INSIDE, RIGHT	*	Internal components (1 of 3) on page 165
COVER, INSIDE, UPPER	RC1-5178-000CN	Upper assembly cover on page 163

Table 7-22 Alphabetical parts list (continued)

Description	Part number	Table and page
COVER, LEFT	RC1-5183-000CN	External panels and covers (1 of 2) on page 159
COVER, OPTION FRONT	*	Tray 2 sheet input tray internal components on page 195
COVER, OPTION LEFT	*	Tray 2 sheet input tray internal components on page 195
COVER, OPTION RIGHT	*	Tray 2 sheet input tray internal components on page 195
COVER, OPTION RIGHT	*	Tray 2 sheet input tray internal components on page 195
COVER, PCB	*	Tray 2 sheet input tray internal components on page 195
COVER, PICK-UP FEED CABLE	*	Internal components (2 of 3) on page 169
COVER, PICKUP FEED FRAME	*	Paper pick-up feeder assembly for Tray 2 on page 199
COVER, PICKUP FEED FRAME	*	Paper pick-up feeder assembly for Tray 2 on page 199
COVER, PICKUP FEED FRAME	*	Paper pickup feeder assembly (Tray 3) on page 207
COVER, RIGHT	*	External panels and covers (2 of 2) on page 161
COVER, RIGHT FRONT	*	External panels and covers (2 of 2) on page 161
COVER, RIGHT FRONT	*	External panels and covers (2 of 2) on page 161
COVER, RIGHT FRONT	*	External panels and covers (2 of 2) on page 161
COVER, SENSOR, TOP	*	Paper pick-up feeder assembly for Tray 2 on page 199
COVER, SWING GEAR	*	Tray 2 sheet input tray internal components on page 195
COVER, UPPER	RC1-5176-000CN	Upper assembly cover on page 163
COVER, UPPER FACE, S	RC1-5174-000CN	External panels and covers (1 of 2) on page 159

Table 7-22 Alphabetical parts list (continued)

Description	Part number	Table and page
CROSSMEMBER, FRONT	*	Tray 2 sheet input tray internal components on page 195
CROSSMEMBER, LOWER, REAR	*	Tray 2 sheet input tray internal components on page 195
CROSSMEMBER, MIDDLE	*	Tray 2 sheet input tray internal components on page 195
CROSSMEMBER, REAR	*	Tray 2 sheet input tray internal components on page 195
CROSSMEMBER, TOP COVER	*	Internal components (1 of 3) on page 165
DC CONTROLLER PCB ASS'Y	RM1-1975-000CN	Internal components (3 of 3) on page 173
DC CONTROLLER PCB ASS'Y	RM1-1975-000CN	PCB assembly location Tray 2 on page 187
DOOR, FRONT	*	External panels and covers (2 of 2) on page 161
DRIVE CABLE	*	Internal components (3 of 3) on page 173
DUCT, FAN	*	Internal components (1 of 3) on page 165
DUCT, FAN	*	Main drive assembly on page 179
DUCT, FAN, LOWER	*	Internal components (1 of 3) on page 165
DUCT, FAN, UPPER	*	Internal components (1 of 3) on page 165
ELECT.TRANSPORT BELT ASS'Y	RM1-1885-000CN	Internal components (2 of 3) on page 169
EXTERNAL COVERS, PANELS, ETC.	*	External panels and covers (1 of 2) on page 159
EXTERNAL COVERS, PANELS, ETC.	*	External panels and covers (2 of 2) on page 161
F.F.C. CONNECT PCB UNIT	*	Main drive assembly on page 179
FAN	*	Internal components (1 of 3) on page 165
FAN	*	Main drive assembly on page 179
FEED ASS'Y	RM1-1923-000CN	Tray 2 input tray (cassette) on page 189

Table 7-22 Alphabetical parts list (continued)

Description	Part number	Table and page
FEEDER UNIT CABLE	*	Paper pick-up feeder assembly for Tray 2 on page 199
FEEDER UNIT JOINT CABLE	*	Internal components (2 of 3) on page 169
FEEDER UNIT JOINT CABLE	*	Internal components (3 of 3) on page 173
FILM GUIDE ASS'Y (110v)	*	Fuser assembly on page 183
FILM GUIDE ASS'Y (220v)	*	Fuser assembly on page 183
FIXING SENSOR CABLE	*	Internal components (3 of 3) on page 173
FLAG, INLET	*	Fuser assembly on page 183
FLAG, INTERTWINE PREVENTION	*	Fuser assembly on page 183
FLAG, PAPER DELIVERY	*	Fuser assembly on page 183
FLAG, PAPER WIDTH SENSOR	*	Paper pick-up feeder assembly for Tray 2 on page 199
FLAG, PRESSURE RELEASE	*	Fuser assembly on page 183
FLAG, PRESSURE RELEASE SENSOR	*	Internal components (1 of 3) on page 165
FLAG, SENSOR	*	Paper pick-up feeder assembly for Tray 2 on page 199
FLANGE, CAM GEAR	*	Main drive assembly on page 179
FOOT, RUBBER	*	Internal components (1 of 3) on page 165
FOOT, RUBBER	*	Tray 2 sheet input tray internal components on page 195
FRAME, FIXING	*	Fuser assembly on page 183
FRAME, FRONT	*	Tray 3 input tray (cassette) on page 203
FRAME, OPTION, LEFT	*	Tray 2 sheet input tray internal components on page 195
FRAME, OPTION, RIGHT	*	Tray 2 sheet input tray internal components on page 195
FRAME, PAPER PICKUP FEEDER	*	Paper pick-up feeder assembly for Tray 2 on page 199
FRAME, PAPER PICKUP FEEDER	*	Paper pickup feeder assembly (Tray 3) on page 207

Table 7-22 Alphabetical parts list (continued)

Description	Part number	Table and page
FRONT DOOR ASS'Y	RM1-1856-000CN	External panels and covers (2 of 2) on page 161
FUSER ASS'Y (110v)	RM1-1820-000CN	Fuser assembly on page 183
FUSER ASS'Y (220v)	RM1-1821-000CN	Fuser assembly on page 183
FUSER ASSEMBLY	RM1-1820-000CN (110v) or RM1-1821-000CN (220v)	Assembly locations on page 157
GEAR, 134T	*	Main drive assembly on page 179
GEAR, 16T	*	Fuser assembly on page 183
GEAR, 16T	*	Tray 2 input tray (cassette) on page 189
GEAR, 18T	*	Main drive assembly on page 179
GEAR, 18T	*	Tray 2 sheet input tray internal components on page 195
GEAR, 19T	*	Fuser assembly on page 183
GEAR, 19T	*	Tray 2 sheet input tray internal components on page 195
GEAR, 19T/71T	*	Fuser assembly on page 183
GEAR, 20T	*	Internal components (1 of 3) on page 165
GEAR, 20T/44T	*	Fuser assembly on page 183
GEAR, 22T	*	Tray 2 input tray (cassette) on page 189
GEAR, 22T	*	Tray 3 input tray (cassette) on page 203
GEAR, 22T/38T	*	Fuser assembly on page 183
GEAR, 26T	*	Fuser assembly on page 183
GEAR, 27T	*	Fuser assembly on page 183
GEAR, 27T/64T	*	Main drive assembly on page 179
GEAR, 29T	*	Internal components (2 of 3) on page 169
GEAR, 29T	*	Internal components (2 of 3) on page 169
GEAR, 29T	*	Tray 2 sheet input tray internal components on page 195

Table 7-22 Alphabetical parts list (continued)

Description	Part number	Table and page
GEAR, 29T	*	Tray 2 sheet input tray internal components on page 195
GEAR, 30T	*	Fuser assembly on page 183
GEAR, 36T	*	Internal components (1 of 3) on page 165
GEAR, 36T	*	Internal components (1 of 3) on page 165
GEAR, 37T	*	Main drive assembly on page 179
GEAR, 40T/43T	*	Internal components (2 of 3) on page 169
GEAR, 40T/43T	*	Tray 2 sheet input tray internal components on page 195
GEAR, 43T/16T	*	Internal components (2 of 3) on page 169
GEAR, 47T/26T	*	Internal components (2 of 3) on page 169
GEAR, 47T/26T	*	Tray 2 sheet input tray internal components on page 195
GEAR, 49T	*	Fuser assembly on page 183
GEAR, 53T/96T	*	Main drive assembly on page 179
GEAR, 54T	*	Internal components (1 of 3) on page 165
GEAR, 54T	*	Main drive assembly on page 179
GEAR, 54T	*	Main drive assembly on page 179
GEAR, 57T/20T	*	Internal components (2 of 3) on page 169
GEAR, 64T	*	Main drive assembly on page 179
GEAR, 64T	*	Main drive assembly on page 179
GEAR, 64T	*	Main drive assembly on page 179
GEAR, 81T	*	Main drive assembly on page 179
GEAR, 81T/32T	*	Main drive assembly on page 179

Table 7-22 Alphabetical parts list (continued)

Description	Part number	Table and page
GEAR, 86T	*	Main drive assembly on page 179
GEAR, 89T/53T	*	Main drive assembly on page 179
GEAR, 96T	*	Main drive assembly on page 179
GEAR, 98T	*	Main drive assembly on page 179
GUIDE, CABLE, UPPER	*	Internal components (3 of 3) on page 173
GUIDE, CARTRIDGE, LEFT	*	Internal components (1 of 3) on page 165
GUIDE, CARTRIDGE, RIGHT	*	Internal components (1 of 3) on page 165
GUIDE, CASSETTE DUPLEX, LOWER	*	Tray 2 input tray (cassette) on page 189
GUIDE, CASSETTE DUPLEX, UPPER	*	Tray 2 input tray (cassette) on page 189
GUIDE, CASSETTE, FRONT LEFT	*	Internal components (1 of 3) on page 165
GUIDE, CASSETTE, FRONT LEFT	*	Internal components (2 of 3) on page 169
GUIDE, CASSETTE, FRONT LEFT	*	Tray 2 sheet input tray internal components on page 195
GUIDE, CASSETTE, FRONT RIGHT	*	Internal components (1 of 3) on page 165
GUIDE, CASSETTE, FRONT RIGHT	*	Internal components (1 of 3) on page 165
GUIDE, CASSETTE, FRONT RIGHT	*	Internal components (2 of 3) on page 169
GUIDE, CASSETTE, FRONT RIGHT	*	Tray 2 sheet input tray internal components on page 195
GUIDE, CASSETTE, REAR LEFT	*	Internal components (1 of 3) on page 165
GUIDE, CASSETTE, REAR LEFT	*	Tray 2 sheet input tray internal components on page 195
GUIDE, CASSETTE, REAR RIGHT	*	Internal components (1 of 3) on page 165
GUIDE, CASSETTE, REAR RIGHT	*	Internal components (1 of 3) on page 165

Table 7-22 Alphabetical parts list (continued)

Description	Part number	Table and page
GUIDE, CASSETTE, REAR RIGHT	*	Tray 2 sheet input tray internal components on page 195
GUIDE, CONTACT/SENSOR SUPPORT	*	Fuser assembly on page 183
GUIDE, CONTROL PANEL LIGHT	*	Control panel assembly on page 177
GUIDE, DRIVE CABLE	*	Main drive assembly on page 179
GUIDE, FEED WIDTH, LEFT	*	Tray 2 input tray (cassette) on page 189
GUIDE, FEED WIDTH, RIGHT	*	Tray 2 input tray (cassette) on page 189
GUIDE, FIXING ENTRANCE	*	Fuser assembly on page 183
GUIDE, LIGHT	*	External panels and covers (2 of 2) on page 161
GUIDE, MANUAL FEED	*	Tray 2 input tray (cassette) on page 189
GUIDE, PAPER DELIVERY LOWER	*	Fuser assembly on page 183
GUIDE, PAPER DELIVERY UPPER	*	Fuser assembly on page 183
GUIDE, PAPER SENSOR CABLE, 1	*	Tray 2 sheet input tray internal components on page 195
GUIDE, PAPER SENSOR CABLE, 2	*	Tray 2 sheet input tray internal components on page 195
GUIDE, PRE-TRANSFER	*	Paper pick-up feeder assembly for Tray 2 on page 199
GUIDE, PRE-TRANSFER	*	Paper pickup feeder assembly (Tray 3) on page 207
GUIDE, REGISTRATION	*	Paper pick-up feeder assembly for Tray 2 on page 199
GUIDE, REGISTRATION	*	Paper pickup feeder assembly (Tray 3) on page 207
HIGH-VOLTAGE PCB ASS'Y	*	Internal components (3 of 3) on page 173
HIGH-VOLTAGE PCB ASS'Y	*	PCB assembly location Tray 2 on page 187
HOLDER, CABLE, LEFT	*	Internal components (3 of 3) on page 173
HOLDER, CABLE, UPPER	*	Internal components (3 of 3) on page 173

Table 7-22 Alphabetical parts list (continued)

Description	Part number	Table and page
HOLDER, DC CABLE	*	Internal components (3 of 3) on page 173
HOLDER, DRAWER	*	Internal components (3 of 3) on page 173
HOLDER, DRAWER CONNECTOR	*	Tray 2 sheet input tray internal components on page 195
HOLDER, DRUM	*	Internal components (1 of 3) on page 165
HOLDER, DRUM	*	Internal components (1 of 3) on page 165
HOLDER, FAN RETAINER	*	Internal components (1 of 3) on page 165
HOLDER, MEMORY CONTROLLER	*	Internal components (1 of 3) on page 165
HOLDER, PAD	*	Tray 2 input tray (cassette) on page 189
HOLDER, PAD	*	Tray 2 input tray (cassette) on page 189
HOLDER, PAD	*	Tray 2 input tray (cassette) on page 189
HOLDER, PAD	*	Tray 3 input tray (cassette) on page 203
HOLDER, PAD	*	Tray 3 input tray (cassette) on page 203
HOLDER, PAD	*	Tray 3 input tray (cassette) on page 203
HOLDER, PAPER PICKUP ROLLER	*	Paper pick-up feeder assembly for Tray 2 on page 199
HOLDER, PAPER PICKUP ROLLER	*	Paper pickup feeder assembly (Tray 3) on page 207
HOLDER, PAPER RETAINING	*	Tray 2 input tray (cassette) on page 189
HOLDER, PAPER RETAINING	*	Tray 3 input tray (cassette) on page 203
HOLDER, PAPER WIDTH SENSOR	*	Paper pick-up feeder assembly for Tray 2 on page 199
HOLDER, PRESSURE RELEASE GEAR	*	Fuser assembly on page 183
HOLDER, RESISTOR	*	Fuser assembly on page 183
HOLDER, SEPARATION	*	Tray 2 input tray (cassette) on page 189

Table 7-22 Alphabetical parts list (continued)

Description	Part number	Table and page
HOLDER, SEPARATION	*	Tray 3 input tray (cassette) on page 203
HOLDER, SWING GEAR	*	Tray 2 sheet input tray internal components on page 195
INTERNAL COMPONENTS	*	Tray 2 sheet input tray internal components on page 195
INTERNAL COMPONENTS 1	*	Internal components (1 of 3) on page 165
INTERNAL COMPONENTS 2	*	Internal components (2 of 3) on page 169
INTERNAL COMPONENTS 3	*	Internal components (3 of 3) on page 173
LATCH, LEFT	*	Internal components (1 of 3) on page 165
LATCH, RIGHT	*	Internal components (1 of 3) on page 165
LEFT INTERNAL COVER ASS'Y	*	Internal components (1 of 3) on page 165
LEFT PAPER SIDE END ASS'Y	*	Tray 2 input tray (cassette) on page 189
LEFT PAPER SIDE END ASS'Y	*	Tray 3 input tray (cassette) on page 203
LEVER, BACK END LOCK RELEASE	*	Tray 2 input tray (cassette) on page 189
LEVER, BACK END LOCK RELEASE	*	Tray 3 input tray (cassette) on page 203
LEVER, CONNECTING, LEFT	*	Internal components (2 of 3) on page 169
LEVER, CONNECTING, RIGHT	*	Internal components (2 of 3) on page 169
LEVER, ETB RELEASE	*	Internal components (1 of 3) on page 165
LEVER, LINK	*	External panels and covers (2 of 2) on page 161
LEVER, SIDE END LOCK RELEASE	*	Tray 2 input tray (cassette) on page 189
LEVER, SIDE END LOCK RELEASE	*	Tray 3 input tray (cassette) on page 203
LEVER, TOGGLE, LEFT	*	External panels and covers (2 of 2) on page 161
LEVER, TOGGLE, RIGHT	*	External panels and covers (2 of 2) on page 161

Table 7-22 Alphabetical parts list (continued)

Description	Part number	Table and page
LID, CONTROLLER	*	Internal components (3 of 3) on page 173
LINK, SHUTTER	*	Internal components (1 of 3) on page 165
MAIN DRIVE ASS'Y	*	Main drive assembly on page 179
MAIN DRIVE ASSEMBLY	*	Assembly locations on page 157
MEMORY CONTROLLER PCB ASS'Y	*	Internal components (1 of 3) on page 165
MEMORY CONTROLLER PCB ASS'Y	*	PCB assembly location Tray 2 on page 187
MIDDLE PLATE ASS'Y	*	Tray 2 input tray (cassette) on page 189
MIDDLE PLATE ASS'Y	*	Tray 3 input tray (cassette) on page 203
MOTOR, DC	*	Main drive assembly on page 179
MOTOR, STEPPING, DC	*	Internal components (2 of 3) on page 169
MOTOR, STEPPING, DC	*	Fuser assembly on page 183
OPTION FRAME LEFT ASS'Y	*	Tray 2 sheet input tray internal components on page 195
OPTION FRAME RIGHT ASS'Y	*	Tray 2 sheet input tray internal components on page 195
PANEL, CONTROL PANEL	*	Control panel assembly on page 177
PANEL, FRONT	*	Tray 2 input tray (cassette) on page 189
PANEL, FRONT	*	Tray 3 input tray (cassette) on page 203
PAPER DELIVERY TRAY ASS'Y	RM1-1859-000CN	External panels and covers (1 of 2) on page 159
PAPER FEEDER PCB ASS'Y	*	Tray 2 sheet input tray internal components on page 195
PAPER FEEDER PCB ASS'Y	*	Paper pickup feeder assembly (Tray 3) on page 209
PAPER PICKUP DRIVE ASS'Y	*	Paper pick-up feeder assembly for Tray 2 on page 199
PAPER PICKUP DRIVE ASS'Y	*	Paper pickup feeder assembly (Tray 3) on page 207

Table 7-22 Alphabetical parts list (continued)

Description	Part number	Table and page
PAPER PICKUP FEEDER ASS'Y	*	Paper pick-up feeder assembly for Tray 2 on page 199
PAPER PICKUP FEEDER ASSEMBLY	*	Assembly locations on page 157
PAPER PICKUP ROLLER	RC1-5440-000CN	250-sheet input tray (cassette) on page 193
PAPER PICKUP ROLLER	RC1-5440-000CN	Tray 3 input tray (cassette) on page 203
PAPER PICKUP ROLLER	RC1-5440-000CN	Paper pickup feeder assembly (Tray 3) on page 207
PCB ASS'Y LOCATION DIAGRAM	*	PCB assembly location Tray 2 on page 187
PCB ASS'Y LOCATION DIAGRAM	*	Paper pickup feeder assembly (Tray 3) on page 209
PHOTO INTERRUPTER (SENSOR)	*	Internal components (1 of 3) on page 165
PHOTO INTERRUPTER (SENSOR)	*	Fuser assembly on page 183
PHOTO INTERRUPTER (SENSOR)	*	Paper pick-up feeder assembly for Tray 2 on page 199
PHOTO INTERRUPTER (SENSOR)	*	Paper pickup feeder assembly (Tray 3) on page 207
PICKUP GEAR ASS'Y	*	Internal components (2 of 3) on page 169
PICKUP GEAR ASS'Y	*	Tray 2 sheet input tray internal components on page 195
PIN,DOWEL	*	Fuser assembly on page 183
PLATE	*	Internal components (2 of 3) on page 169
PLATE, BACK END LIMIT, LARGE	*	Tray 2 input tray (cassette) on page 189
PLATE, BACK END LIMIT, LARGE	*	Tray 3 input tray (cassette) on page 203
PLATE, BACK END LIMIT, SMALL	*	Tray 2 input tray (cassette) on page 189
PLATE, BACK END LIMIT, SMALL	*	Tray 3 input tray (cassette) on page 203
PLATE, CASSETTE REINFORCEMENT	*	Tray 2 input tray (cassette) on page 189
PLATE, CASSETTE REINFORCEMENT	*	Tray 3 input tray (cassette) on page 203

Table 7-22 Alphabetical parts list (continued)

Description	Part number	Table and page
PLATE, CONNECTOR	*	Internal components (3 of 3) on page 173
PLATE, CONTROL PANEL RETAINING	*	Control panel assembly on page 177
PLATE, DELIVERY BACK END LIMIT	*	External panels and covers (1 of 2) on page 159
PLATE, DRIVE INSIDE	*	Main drive assembly on page 179
PLATE, FAN	*	Main drive assembly on page 179
PLATE, GROUNDING	*	External panels and covers (1 of 2) on page 159
PLATE, GROUNDING	*	Fuser assembly on page 183
PLATE, GROUNDING	*	Tray 2 sheet input tray internal components on page 195
PLATE, HEAT INSULATING	*	Internal components (2 of 3) on page 169
PLATE, MIDDLE	*	Tray 2 input tray (cassette) on page 189
PLATE, MIDDLE	*	Tray 3 input tray (cassette) on page 203
PLATE, MOTOR ANTI-MAGNETIC	*	Fuser assembly on page 183
PLATE, PANEL FIX, RIGHT FRONT	*	Internal components (2 of 3) on page 169
PLATE, PAPER GUIDE	*	Tray 2 input tray (cassette) on page 189
PLATE, PAPER GUIDE	*	Tray 3 input tray (cassette) on page 203
PLATE, PAPER SIDE END, LEFT	*	Tray 3 input tray (cassette) on page 203
PLATE, PAPER SIDE END, RIGHT	*	Tray 2 input tray (cassette) on page 189
PLATE, PAPER SIDE END, RIGHT	*	Tray 3 input tray (cassette) on page 203
PLATE, PRESSURE RELEASE, LEFT	*	Fuser assembly on page 183
PLATE, PRESSURE RELEASE, RIGHT	*	Fuser assembly on page 183
PLATE, PRESSURE, LEFT	*	Internal components (1 of 3) on page 165
PLATE, PRESSURE, LEFT	*	Fuser assembly on page 183
PLATE, PRESSURE, RIGHT	*	Internal components (1 of 3) on page 165
PLATE, PRESSURE, RIGHT	*	Fuser assembly on page 183

Table 7-22 Alphabetical parts list (continued)

Description	Part number	Table and page
PLATE, REAR	RC1-5227-000CN	External panels and covers (1 of 2) on page 159
PLATE, REAR	RC1-5227-000CN	External panels and covers (2 of 2) on page 161
PLATE, REG. GROUNDING, 1	*	Paper pick-up feeder assembly for Tray 2 on page 199
PLATE, REG. GROUNDING, 1	*	Paper pickup feeder assembly (Tray 3) on page 207
PLATE, REG. GROUNDING, 2	*	Paper pick-up feeder assembly for Tray 2 on page 199
PLATE, REG. GROUNDING, 2	*	Paper pickup feeder assembly (Tray 3) on page 207
PLATE, REINFORCEMENT	*	Tray 2 input tray (cassette) on page 189
PLATE, REINFORCEMENT	*	Tray 3 input tray (cassette) on page 203
PLATE, SHAFT	*	Internal components (1 of 3) on page 165
PLATE, SHIELD	*	Internal components (3 of 3) on page 173
PLATE, SHIELD, FRONT	*	Internal components (3 of 3) on page 173
POWER CABLE	*	Internal components (3 of 3) on page 173
POWER CONTROLLER CABLE	*	Internal components (3 of 3) on page 173
POWER SUPPLY PCB ASS'Y	*	Internal components (3 of 3) on page 173
POWER SUPPLY PCB ASS'Y	*	Internal components (3 of 3) on page 173
POWER SUPPLY PCB ASS'Y	*	Internal components (3 of 3) on page 173
POWER SUPPLY PCB ASS'Y	*	PCB assembly location Tray 2 on page 187
POWER SUPPLY PCB ASS'Y	*	PCB assembly location Tray 2 on page 187
PULLEY	*	Main drive assembly on page 179
RACK	*	Tray 2 input tray (cassette) on page 189
RACK	*	Tray 3 input tray (cassette) on page 203

Table 7-22 Alphabetical parts list (continued)

Description	Part number	Table and page
RACK, MANUAL FEED	*	Tray 2 input tray (cassette) on page 189
RESISTOR, 400 OHM, 0.5W	*	Paper pick-up feeder assembly for Tray 2 on page 199
RESISTOR, 400 OHM, 0.5W	*	Paper pickup feeder assembly (Tray 3) on page 207
RETAINER, PAPER	RC1-5062-000CN	Internal components (2 of 3) on page 169
RIB, ENTRANCE GUIDE	*	Fuser assembly on page 183
RIGHT COVER ASS'Y	RM1-1858-000CN	External panels and covers (2 of 2) on page 161
RIGHT PAPER SIDE END ASS'Y	*	Tray 2 input tray (cassette) on page 189
RIGHT PAPER SIDE END ASS'Y	*	Tray 3 input tray (cassette) on page 203
RING, E	*	Internal components (1 of 3) on page 165
RING, E	*	Internal components (2 of 3) on page 169
RING, E	*	Main drive assembly on page 179
RING, E	*	Fuser assembly on page 183
RING, E	*	Fuser assembly on page 183
ROD, BEARING SUPPORT	*	Internal components (3 of 3) on page 173
ROD, LEFT	*	Internal components (1 of 3) on page 165
ROD, RELEASE, RIGHT	*	Main drive assembly on page 179
ROLLER, CASSETTE PAPER PICKUP	*	Paper pick-up feeder assembly for Tray 2 on page 199
ROLLER, CASSETTE PAPER PICKUP	*	Paper pickup feeder assembly (Tray 3) on page 207
ROLLER, DELIVERY	*	Fuser assembly on page 183
ROLLER, FACE-DOWN BENDING	*	Fuser assembly on page 183
ROLLER, PAPER PICKUP	RC1-5440-000CN	Paper pick-up feeder assembly for Tray 2 on page 199
ROLLER, PAPER PICKUP	RC1-5440-000CN	Paper pickup feeder assembly (Tray 3) on page 207
ROLLER, PRESSURE	*	Fuser assembly on page 183

Table 7-22 Alphabetical parts list (continued)

Description	Part number	Table and page
ROLLER, REGISTRATION DRIVE	*	Paper pick-up feeder assembly for Tray 2 on page 199
ROLLER, REGISTRATION DRIVE	*	Paper pickup feeder assembly (Tray 3) on page 207
ROLLER, REGISTRATION, A	*	Paper pick-up feeder assembly for Tray 2 on page 199
ROLLER, REGISTRATION, A	*	Paper pickup feeder assembly (Tray 3) on page 207
ROLLER, REGISTRATION, B	*	Paper pick-up feeder assembly for Tray 2 on page 199
ROLLER, REGISTRATION, B	*	Paper pickup feeder assembly (Tray 3) on page 207
ROLLER, REGISTRATION, C	*	Paper pick-up feeder assembly for Tray 2 on page 199
ROLLER, REGISTRATION, C	*	Paper pickup feeder assembly (Tray 3) on page 207
SADDLE, WIRE	*	External panels and covers (1 of 2) on page 159
SADDLE, WIRE	*	External panels and covers (2 of 2) on page 161
SADDLE, WIRE	*	Internal components (2 of 3) on page 169
SADDLE, WIRE	*	Tray 2 sheet input tray internal components on page 195
SCANNER UNIT	*	Internal components (3 of 3) on page 173
SCREW, RS, M3X10	*	Internal components (3 of 3) on page 173
SCREW, RS, M3X6	*	Internal components (2 of 3) on page 169
SCREW, RS, M3X6	*	Internal components (2 of 3) on page 169
SCREW, RS, M3X6	*	Fuser assembly on page 183
SCREW, RS, M3X8	*	Internal components (1 of 3) on page 165
SCREW, RS, M3X8	*	Internal components (1 of 3) on page 165
SCREW, RS, M3X8	*	Internal components (1 of 3) on page 165

Table 7-22 Alphabetical parts list (continued)

Description	Part number	Table and page
SCREW, RS, M3X8	*	Internal components (1 of 3) on page 165
SCREW, RS, M3X8	*	Internal components (2 of 3) on page 169
SCREW, RS, M3X8	*	Internal components (3 of 3) on page 173
SCREW, RS, M3X8	*	Control panel assembly on page 177
SCREW, RS, M3X8	*	Main drive assembly on page 179
SCREW, RS, M3X8	*	Fuser assembly on page 183
SCREW, RS, M3X8	*	Fuser assembly on page 183
SCREW, RS, M3X8	*	Tray 2 sheet input tray internal components on page 195
SCREW, RS, M3X8	*	Tray 2 sheet input tray internal components on page 195
SCREW, RS, M3X8	*	Tray 2 sheet input tray internal components on page 195
SCREW, TAPPING, TRUSS HEAD, M4X8	*	Internal components (2 of 3) on page 169
SCREW, TAPPING, TRUSS HEAD, M4X8	*	Internal components (3 of 3) on page 173
SCREW, TAPPING, TRUSS HEAD, M4X8	*	Tray 2 sheet input tray internal components on page 195
SCREW, TAPPING, TRUSS HEAD, M3X6	*	Tray 2 input tray (cassette) on page 189
SCREW, TAPPING, TRUSS HEAD, M3X6	*	Tray 2 input tray (cassette) on page 189
SCREW, TAPPING, TRUSS HEAD, M3X6	*	Tray 3 input tray (cassette) on page 203
SCREW, TAPPING, TRUSS HEAD, M3X8	*	External panels and covers (1 of 2) on page 159
SCREW, TAPPING, TRUSS HEAD, M4X8	*	External panels and covers (2 of 2) on page 161
SCREW, TAPPING, TRUSS HEAD, M4X8	*	Upper assembly cover on page 163
SCREW, TAPPING, TRUSS HEAD, M4X8	*	Internal components (1 of 3) on page 165
SCREW, TAPPING, TRUSS HEAD, M4X8	*	Main drive assembly on page 179

Table 7-22 Alphabetical parts list (continued)

Description	Part number	Table and page
SCREW, TAPPING,TRUSS HEAD,M4X8	*	Tray 2 input tray (cassette) on page 189
SCREW, TAPPING,TRUSS HEAD,M4X8	*	Paper pick-up feeder assembly for Tray 2 on page 199
SCREW, TAPPING,TRUSS HEAD,M4X8	*	Tray 3 input tray (cassette) on page 203
SCREW, TAPPING,TRUSS HEAD,M4X8	*	Paper pickup feeder assembly (Tray 3) on page 207
SCREW, TP	*	External panels and covers (2 of 2) on page 161
SCREW, W/WASHER, M3X8	*	Internal components (3 of 3) on page 173
SCREW, W/WASHER, M4X18	*	Internal components (2 of 3) on page 169
SE RING	*	Main drive assembly on page 179
SEPARATION ASS'Y	RM1-1922-000CN	Tray 2 input tray (cassette) on page 189
SEPARATION ASS'Y	RM1-1922-000CN	Tray 3 input tray (cassette) on page 203
SHAFT, DRUM GEAR	*	Main drive assembly on page 179
SHAFT, ETB DRIVE	*	Internal components (1 of 3) on page 165
SHAFT, FACE-DOWN ROLLER	*	Fuser assembly on page 183
SHAFT, FRONT DOOR	*	Internal components (2 of 3) on page 169
SHAFT, FRONT DOOR ARM	*	External panels and covers (2 of 2) on page 161
SHAFT, PAPER PICKUP DRIVE	*	Paper pick-up feeder assembly for Tray 2 on page 199
SHAFT, PAPER PICKUP DRIVE	*	Paper pickup feeder assembly (Tray 3) on page 207
SHAFT, POSITIONING	*	Tray 2 sheet input tray internal components on page 195
SHAFT, PRESSURE RELEASE	*	Fuser assembly on page 183
SHAFT, PRESSURE RELEASE CAM	*	Fuser assembly on page 183
SHAFT, REGISTRATION ROLLER	*	Paper pick-up feeder assembly for Tray 2 on page 199

Table 7-22 Alphabetical parts list (continued)

Description	Part number	Table and page
SHAFT, REGISTRATION ROLLER	*	Paper pickup feeder assembly (Tray 3) on page 207
SHAFT, TOGGLE	*	Internal components (1 of 3) on page 165
SHEET, SCRAPER, 1	*	Paper pick-up feeder assembly for Tray 2 on page 199
SHEET, SCRAPER, 2	*	Paper pick-up feeder assembly for Tray 2 on page 199
SHEET, SEPARATION	*	Tray 2 input tray (cassette) on page 189
SHEET, SEPARATION	*	Tray 3 input tray (cassette) on page 203
SHUTTER, REGISTRATION	*	Paper pick-up feeder assembly for Tray 2 on page 199
SIDE PLATE, DRIVE	*	Main drive assembly on page 179
SIDE PLATE, FIXING, LEFT	*	Fuser assembly on page 183
SIDE PLATE, FIXING, LEFT, 2	*	Fuser assembly on page 183
SIDE PLATE, FIXING, RIGHT	*	Fuser assembly on page 183
SIDE PLATE, FIXING, RIGHT, 2	*	Fuser assembly on page 183
SIDE PLATE, GEAR	*	Fuser assembly on page 183
SIZE PLATE, PAPER	*	Tray 2 input tray (cassette) on page 189
SIZE PLATE, PAPER	*	Tray 3 input tray (cassette) on page 203
SOLENOID	*	Internal components (2 of 3) on page 169
SOLENOID	*	Main drive assembly on page 179
SOLENOID	*	Tray 2 sheet input tray internal components on page 195
SOLID RESISTOR, 20MOHM, 1/4W	*	Fuser assembly on page 183
SPACER, CONTROL PANEL	*	Control panel assembly on page 177
SPRING, COMPRESSION	*	Internal components (1 of 3) on page 165
SPRING, COMPRESSION	*	Internal components (1 of 3) on page 165
SPRING, COMPRESSION	*	Internal components (2 of 3) on page 169

Table 7-22 Alphabetical parts list (continued)

Description	Part number	Table and page
SPRING, COMPRESSION	*	Internal components (2 of 3) on page 169
SPRING, COMPRESSION	*	Main drive assembly on page 179
SPRING, COMPRESSION	*	Main drive assembly on page 179
SPRING, COMPRESSION	*	Fuser assembly on page 183
SPRING, COMPRESSION	*	Tray 2 input tray (cassette) on page 189
SPRING, COMPRESSION	*	Tray 2 input tray (cassette) on page 189
SPRING, COMPRESSION	*	Tray 2 input tray (cassette) on page 189
SPRING, COMPRESSION	*	Tray 2 input tray (cassette) on page 189
SPRING, COMPRESSION	*	Tray 2 input tray (cassette) on page 189
SPRING, COMPRESSION	*	Tray 2 input tray (cassette) on page 189
SPRING, COMPRESSION	*	Tray 2 input tray (cassette) on page 189
SPRING, COMPRESSION	*	Tray 2 input tray (cassette) on page 189
SPRING, COMPRESSION	*	Tray 2 input tray (cassette) on page 189
SPRING, COMPRESSION	*	Tray 2 input tray (cassette) on page 189
SPRING, COMPRESSION	*	Tray 2 sheet input tray internal components on page 195
SPRING, COMPRESSION	*	Tray 2 sheet input tray internal components on page 195
SPRING, COMPRESSION	*	Paper pick-up feeder assembly for Tray 2 on page 199
SPRING, COMPRESSION	*	Tray 3 input tray (cassette) on page 203
SPRING, COMPRESSION	*	Tray 3 input tray (cassette) on page 203
SPRING, COMPRESSION	*	Tray 3 input tray (cassette) on page 203
SPRING, COMPRESSION	*	Tray 3 input tray (cassette) on page 203

Table 7-22 Alphabetical parts list (continued)

Description	Part number	Table and page
SPRING, COMPRESSION	*	Tray 3 input tray (cassette) on page 203
SPRING, COMPRESSION	*	Tray 3 input tray (cassette) on page 203
SPRING, COMPRESSION	*	Tray 3 input tray (cassette) on page 203
SPRING, COMPRESSION	*	Tray 3 input tray (cassette) on page 203
SPRING, COMPRESSION	*	Tray 3 input tray (cassette) on page 203
SPRING, COMPRESSION	*	Tray 3 input tray (cassette) on page 203
SPRING, COMPRESSION	*	Paper pickup feeder assembly (Tray 3) on page 207
SPRING, GROUNDING	*	Internal components (1 of 3) on page 165
SPRING, GROUNDING	*	Internal components (1 of 3) on page 165
SPRING, GROUNDING	*	Internal components (1 of 3) on page 165
SPRING, GROUNDING	*	Internal components (1 of 3) on page 165
SPRING, GROUNDING	*	Internal components (1 of 3) on page 165
SPRING, GROUNDING	RC1-5147-000CN	Internal components (2 of 3) on page 169
SPRING, GROUNDING	*	Fuser assembly on page 183
SPRING, GROUNDING	*	Fuser assembly on page 183
SPRING, GROUNDING	*	Fuser assembly on page 183
SPRING, GROUNDING	*	Fuser assembly on page 183
SPRING, GROUNDING	*	Tray 2 input tray (cassette) on page 189
SPRING, GROUNDING	*	Tray 2 input tray (cassette) on page 189
SPRING, GROUNDING	*	Tray 2 sheet input tray internal components on page 195
SPRING, GROUNDING	*	Tray 3 input tray (cassette) on page 203
SPRING, GROUNDING	*	Tray 3 input tray (cassette) on page 203
SPRING, LEAF	*	Internal components (2 of 3) on page 169

Table 7-22 Alphabetical parts list (continued)

Description	Part number	Table and page
SPRING, LEAF	*	Fuser assembly on page 183
SPRING, LEAF	*	Tray 2 sheet input tray internal components on page 195
SPRING, TENSION	*	Internal components (1 of 3) on page 165
SPRING, TENSION	*	Internal components (1 of 3) on page 165
SPRING, TENSION	*	Main drive assembly on page 179
SPRING, TENSION	*	Fuser assembly on page 183
SPRING, TENSION	*	Tray 2 input tray (cassette) on page 189
SPRING, TENSION	*	Tray 2 sheet input tray internal components on page 195
SPRING, TENSION	*	Paper pick-up feeder assembly for Tray 2 on page 199
SPRING, TENSION	*	Tray 3 input tray (cassette) on page 203
SPRING, TENSION	*	Paper pickup feeder assembly (Tray 3) on page 207
SPRING, TORSION	*	Internal components (1 of 3) on page 165
SPRING, TORSION	*	Internal components (1 of 3) on page 165
SPRING, TORSION	*	Internal components (1 of 3) on page 165
SPRING, TORSION	*	Fuser assembly on page 183
SPRING, TORSION	*	Fuser assembly on page 183
SPRING, TORSION	*	Paper pick-up feeder assembly for Tray 2 on page 199
SPRING, TORSION	*	Paper pick-up feeder assembly for Tray 2 on page 199
SPRING, TORSION	*	Paper pick-up feeder assembly for Tray 2 on page 199
STOP, CAM GEAR	*	Main drive assembly on page 179
STOP, CLUTCH	*	Internal components (2 of 3) on page 169

Table 7-22 Alphabetical parts list (continued)

Description	Part number	Table and page
STOP, CLUTCH	*	Tray 2 sheet input tray internal components on page 195
STOPPER, BACK END LIMIT	*	Tray 2 input tray (cassette) on page 189
STOPPER, BACK END LIMIT	*	Tray 3 input tray (cassette) on page 203
STOPPER, CASSETTE, LEFT	*	Tray 2 input tray (cassette) on page 189
STOPPER, CASSETTE, LEFT	*	Tray 3 input tray (cassette) on page 203
STOPPER, CASSETTE, RIGHT	*	Tray 2 input tray (cassette) on page 189
STOPPER, CASSETTE, RIGHT	*	Tray 3 input tray (cassette) on page 203
STOPPER, PAPER SIDE END	*	Tray 2 input tray (cassette) on page 189
STOPPER, PAPER SIDE END	*	Tray 3 input tray (cassette) on page 203
TRAY, EXTENSION	*	External panels and covers (1 of 2) on page 159
TRAY, FACE-DOWN	*	External panels and covers (1 of 2) on page 159
UPPER COVER	*	Assembly locations on page 157
WEIGHT, PAD	*	Tray 2 input tray (cassette) on page 189
WEIGHT, PAD	*	Tray 3 input tray (cassette) on page 203

Numerical parts list

Table 7-23 Numerical parts list

Part number	Description	Table and page
	* Not set up as a service part	Assembly locations on page 157
	* Not set up as a service part	External panels and covers (1 of 2) on page 159
	* Not set up as a service part	External panels and covers (2 of 2) on page 161
	* Not set up as a service part	Upper assembly cover on page 163
	* Not set up as a service part	Internal components (1 of 3) on page 165
	* Not set up as a service part	Internal components (2 of 3) on page 169
	* Not set up as a service part	Internal components (3 of 3) on page 173
	* Not set up as a service part	Control panel assembly on page 177
	* Not set up as a service part	Main drive assembly on page 179
	* Not set up as a service part	Fuser assembly on page 183
	RING, E	Fuser assembly on page 183
	* Not set up as a service part	PCB assembly location Tray 2 on page 187
	* Not set up as a service part	Tray 2 input tray (cassette) on page 189
	* Not set up as a service part	250-sheet input tray (cassette) on page 193
	* Not set up as a service part	Tray 2 sheet input tray internal components on page 195
	* Not set up as a service part	Paper pick-up feeder assembly for Tray 2 on page 199
	* Not set up as a service part	Tray 3 input tray (cassette) on page 203
	* Not set up as a service part	Paper pickup feeder assembly (Tray 3) on page 207
	* Not set up as a service part	Paper pickup feeder assembly (Tray 3) on page 209
*	UPPER COVER	Assembly locations on page 157

Table 7-23 Numerical parts list (continued)

Part number	Description	Table and page
*	MAIN DRIVE ASSEMBLY	Assembly locations on page 157
*	PAPER PICKUP FEEDER ASSEMBLY	Assembly locations on page 157
*	EXTERNAL COVERS, PANELS, ETC.	External panels and covers (1 of 2) on page 159
*	CONNECTOR, SNAP TIGHT	External panels and covers (1 of 2) on page 159
*	CONNECTOR, SNAP TIGHT, BK	External panels and covers (1 of 2) on page 159
*	CLIP, CABLE	External panels and covers (1 of 2) on page 159
*	SADDLE, WIRE	External panels and covers (1 of 2) on page 159
*	PLATE, GROUNDING	External panels and covers (1 of 2) on page 159
*	SCREW, TAPPING, TRUSS HEAD, M3X8	External panels and covers (1 of 2) on page 159
*	TRAY, EXTENSION	External panels and covers (1 of 2) on page 159
*	TRAY, FACE-DOWN	External panels and covers (1 of 2) on page 159
*	PLATE, DELIVERY BACK END LIMIT	External panels and covers (1 of 2) on page 159
*	EXTERNAL COVERS, PANELS, ETC.	External panels and covers (2 of 2) on page 161
*	CONNECTOR, SNAP TIGHT	External panels and covers (2 of 2) on page 161
*	CONNECTOR, SNAP TIGHT, BK	External panels and covers (2 of 2) on page 161
*	CLIP, CABLE	External panels and covers (2 of 2) on page 161
*	SADDLE, WIRE	External panels and covers (2 of 2) on page 161
*	ARM, FRONT DOOR, LEFT	External panels and covers (2 of 2) on page 161
*	ARM, FRONT DOOR, RIGHT	External panels and covers (2 of 2) on page 161
*	SHAFT, FRONT DOOR ARM	External panels and covers (2 of 2) on page 161
*	COVER, RIGHT FRONT	External panels and covers (2 of 2) on page 161
*	DOOR, FRONT	External panels and covers (2 of 2) on page 161

Table 7-23 Numerical parts list (continued)

Part number	Description	Table and page
*	LEVER, LINK	External panels and covers (2 of 2) on page 161
*	LEVER, TOGGLE, LEFT	External panels and covers (2 of 2) on page 161
*	LEVER, TOGGLE, RIGHT	External panels and covers (2 of 2) on page 161
*	SCREW, TAPPING, TRUSS HEAD, M4X8	External panels and covers (2 of 2) on page 161
*	SCREW, TP	External panels and covers (2 of 2) on page 161
*	COVER, RIGHT	External panels and covers (2 of 2) on page 161
*	COVER, RIGHT FRONT	External panels and covers (2 of 2) on page 161
*	BUSHING	External panels and covers (2 of 2) on page 161
*	COVER, RIGHT FRONT	External panels and covers (2 of 2) on page 161
*	GUIDE, LIGHT	External panels and covers (2 of 2) on page 161
*	SCREW, TAPPING, TRUSS HEAD, M4X8	Upper assembly cover on page 163
*	INTERNAL COMPONENTS 1	Internal components (1 of 3) on page 165
*	CROSSMEMBER, TOP COVER	Internal components (1 of 3) on page 165
*	BRACKET, LEFT REAR	Internal components (1 of 3) on page 165
*	BRACKET, RIGHT REAR	Internal components (1 of 3) on page 165
*	COVER, INSIDE, RIGHT	Internal components (1 of 3) on page 165
*	BRACKET, CARD READER	Internal components (1 of 3) on page 165
*	HOLDER, FAN RETAINER	Internal components (1 of 3) on page 165
*	LATCH, LEFT	Internal components (1 of 3) on page 165
*	BUSHING	Internal components (1 of 3) on page 165
*	LATCH, RIGHT	Internal components (1 of 3) on page 165
*	LEVER, ETB RELEASE	Internal components (1 of 3) on page 165

Table 7-23 Numerical parts list (continued)

Part number	Description	Table and page
*	FAN	Internal components (1 of 3) on page 165
*	GEAR, 54T	Internal components (1 of 3) on page 165
*	SPRING, TENSION	Internal components (1 of 3) on page 165
*	SPRING, COMPRESSION	Internal components (1 of 3) on page 165
*	LEFT INTERNAL COVER ASS'Y	Internal components (1 of 3) on page 165
*	GUIDE, CARTRIDGE, RIGHT	Internal components (1 of 3) on page 165
*	HOLDER, DRUM	Internal components (1 of 3) on page 165
*	BUSHING	Internal components (1 of 3) on page 165
*	PLATE, PRESSURE, RIGHT	Internal components (1 of 3) on page 165
*	BUSHING	Internal components (1 of 3) on page 165
*	GUIDE, CASSETTE, REAR RIGHT	Internal components (1 of 3) on page 165
*	GUIDE, CASSETTE, FRONT RIGHT	Internal components (1 of 3) on page 165
*	GEAR, 20T	Internal components (1 of 3) on page 165
*	GEAR, 36T	Internal components (1 of 3) on page 165
*	GEAR, 36T	Internal components (1 of 3) on page 165
*	SPRING, TORSION	Internal components (1 of 3) on page 165
*	SCREW, RS, M3X8	Internal components (1 of 3) on page 165
*	SCREW, RS, M3X8	Internal components (1 of 3) on page 165
*	SCREW, RS, M3X8	Internal components (1 of 3) on page 165
*	SCREW, RS, M3X8	Internal components (1 of 3) on page 165
*	GUIDE, CARTRIDGE, LEFT	Internal components (1 of 3) on page 165
*	HOLDER, DRUM	Internal components (1 of 3) on page 165

Table 7-23 Numerical parts list (continued)

Part number	Description	Table and page
*	LINK, SHUTTER	Internal components (1 of 3) on page 165
*	PLATE, PRESSURE, LEFT	Internal components (1 of 3) on page 165
*	SPRING, TORSION	Internal components (1 of 3) on page 165
*	PLATE, SHAFT	Internal components (1 of 3) on page 165
*	ARM, OPEN/CLOSE	Internal components (1 of 3) on page 165
*	ARM, OPEN/CLOSE	Internal components (1 of 3) on page 165
*	SPRING, TORSION	Internal components (1 of 3) on page 165
*	ROD, LEFT	Internal components (1 of 3) on page 165
*	SPRING, GROUNDING	Internal components (1 of 3) on page 165
*	GUIDE, CASSETTE, FRONT LEFT	Internal components (1 of 3) on page 165
*	GUIDE, CASSETTE, REAR LEFT	Internal components (1 of 3) on page 165
*	RING, E	Internal components (1 of 3) on page 165
*	ARM, LASER SHUTTER	Internal components (1 of 3) on page 165
*	DUCT, FAN	Internal components (1 of 3) on page 165
*	SPRING, TENSION	Internal components (1 of 3) on page 165
*	MEMORY CONTROLLER PCB ASS'Y	Internal components (1 of 3) on page 165
*	DUCT, FAN, UPPER	Internal components (1 of 3) on page 165
*	DUCT, FAN, LOWER	Internal components (1 of 3) on page 165
*	HOLDER, MEMORY CONTROLLER	Internal components (1 of 3) on page 165
*	FLAG, PRESSURE RELEASE SENSOR	Internal components (1 of 3) on page 165
*	CLAMP, FFC	Internal components (1 of 3) on page 165
*	SCREW, TAPPING, TRUSS HEAD, M4X8	Internal components (1 of 3) on page 165

Table 7-23 Numerical parts list (continued)

Part number	Description	Table and page
*	SHAFT, TOGGLE	Internal components (1 of 3) on page 165
*	SHAFT, ETB DRIVE	Internal components (1 of 3) on page 165
*	SPRING, GROUNDING	Internal components (1 of 3) on page 165
*	SPRING, GROUNDING	Internal components (1 of 3) on page 165
*	SPRING, GROUNDING	Internal components (1 of 3) on page 165
*	SPRING, GROUNDING	Internal components (1 of 3) on page 165
*	COVER, INSIDE, LEFT	Internal components (1 of 3) on page 165
*	ARM, INTERLOCK SWITCH	Internal components (1 of 3) on page 165
*	SPRING, COMPRESSION	Internal components (1 of 3) on page 165
*	PHOTO INTERRUPTER (SENSOR)	Internal components (1 of 3) on page 165
*	FOOT, RUBBER	Internal components (1 of 3) on page 165
*	GUIDE, CASSETTE, REAR RIGHT	Internal components (1 of 3) on page 165
*	GUIDE, CASSETTE, FRONT RIGHT	Internal components (1 of 3) on page 165
*	INTERNAL COMPONENTS 2	Internal components (2 of 3) on page 169
*	CAP, SHAFT CONDUCTIVE	Internal components (2 of 3) on page 169
*	SCREW, RS, M3X6	Internal components (2 of 3) on page 169
*	COVER, PICK-UP FEED CABLE	Internal components (2 of 3) on page 169
*	SHAFT, FRONT DOOR	Internal components (2 of 3) on page 169
*	PLATE, PANEL FIX, RIGHT FRONT	Internal components (2 of 3) on page 169
*	GUIDE, CASSETTE, FRONT RIGHT	Internal components (2 of 3) on page 169
*	GUIDE, CASSETTE, FRONT LEFT	Internal components (2 of 3) on page 169
*	PLATE, HEAT INSULATING	Internal components (2 of 3) on page 169

Table 7-23 Numerical parts list (continued)

Part number	Description	Table and page
*	LEVER, CONNECTING, LEFT	Internal components (2 of 3) on page 169
*	CAM, LEFT	Internal components (2 of 3) on page 169
*	SADDLE, WIRE	Internal components (2 of 3) on page 169
*	FEEDER UNIT JOINT CABLE	Internal components (2 of 3) on page 169
*	CAM, HINGE, RIGHT	Internal components (2 of 3) on page 169
*	LEVER, CONNECTING, RIGHT	Internal components (2 of 3) on page 169
*	BASE, MOTOR	Internal components (2 of 3) on page 169
*	CLUTCH, MECHANICAL	Internal components (2 of 3) on page 169
*	SPRING, LEAF	Internal components (2 of 3) on page 169
*	PLATE	Internal components (2 of 3) on page 169
*	BUSHING	Internal components (2 of 3) on page 169
*	STOP, CLUTCH	Internal components (2 of 3) on page 169
*	MOTOR, STEPPING, DC	Internal components (2 of 3) on page 169
*	SOLENOID	Internal components (2 of 3) on page 169
*	PICKUP GEAR ASS'Y	Internal components (2 of 3) on page 169
*	GEAR, 57T/20T	Internal components (2 of 3) on page 169
*	GEAR, 43T/16T	Internal components (2 of 3) on page 169
*	GEAR, 47T/26T	Internal components (2 of 3) on page 169
*	GEAR, 40T/43T	Internal components (2 of 3) on page 169
*	CAM/GEAR, 26T	Internal components (2 of 3) on page 169
*	SPRING, COMPRESSION	Internal components (2 of 3) on page 169
*	RING, E	Internal components (2 of 3) on page 169

Table 7-23 Numerical parts list (continued)

Part number	Description	Table and page
*	SCREW, RS, M3X6	Internal components (2 of 3) on page 169
*	SCREW, RS, M3X8	Internal components (2 of 3) on page 169
*	SCREW, W/WASHER, M4X18	Internal components (2 of 3) on page 169
*	SCREW, TAPPING, TRUSS HEAD, M4X8	Internal components (2 of 3) on page 169
*	GEAR, 29T	Internal components (2 of 3) on page 169
*	GEAR, 29T	Internal components (2 of 3) on page 169
*	SPRING, COMPRESSION	Internal components (2 of 3) on page 169
*	INTERNAL COMPONENTS 3	Internal components (3 of 3) on page 173
*	GUIDE, CABLE, UPPER	Internal components (3 of 3) on page 173
*	PLATE, SHIELD	Internal components (3 of 3) on page 173
*	PLATE, SHIELD, FRONT	Internal components (3 of 3) on page 173
*	PLATE, CONNECTOR	Internal components (3 of 3) on page 173
*	COVER, CONTROLLER	Internal components (3 of 3) on page 173
*	LID, CONTROLLER	Internal components (3 of 3) on page 173
*	HOLDER, CABLE, LEFT	Internal components (3 of 3) on page 173
*	HOLDER, DC CABLE	Internal components (3 of 3) on page 173
*	HOLDER, CABLE, UPPER	Internal components (3 of 3) on page 173
*	HOLDER, DRAWER	Internal components (3 of 3) on page 173
*	CONNECTOR, DRAWER	Internal components (3 of 3) on page 173
*	SCANNER UNIT	Internal components (3 of 3) on page 173
*	POWER SUPPLY PCB ASS'Y	Internal components (3 of 3) on page 173
*	POWER SUPPLY PCB ASS'Y	Internal components (3 of 3) on page 173

Table 7-23 Numerical parts list (continued)

Part number	Description	Table and page
*	POWER SUPPLY PCB ASS'Y	Internal components (3 of 3) on page 173
*	HIGH-VOLTAGE PCB ASS'Y	Internal components (3 of 3) on page 173
*	POWER CABLE	Internal components (3 of 3) on page 173
*	POWER CONTROLLER CABLE	Internal components (3 of 3) on page 173
*	FIXING SENSOR CABLE	Internal components (3 of 3) on page 173
*	DRIVE CABLE	Internal components (3 of 3) on page 173
*	CONNECTOR, SNAP TIGHT, BK	Internal components (3 of 3) on page 173
*	CONNECTOR, SNAP TIGHT, BK	Internal components (3 of 3) on page 173
*	CABLE, CPR	Internal components (3 of 3) on page 173
*	FEEDER UNIT JOINT CABLE	Internal components (3 of 3) on page 173
*	SCREW, W/WASHER, M3X8	Internal components (3 of 3) on page 173
*	SCREW, RS, M3X10	Internal components (3 of 3) on page 173
*	SCREW, RS, M3X8	Internal components (3 of 3) on page 173
*	ROD, BEARING SUPPORT	Internal components (3 of 3) on page 173
*	CABLE, FLAT	Internal components (3 of 3) on page 173
*	CABLE, FLAT	Internal components (3 of 3) on page 173
*	CABLE, FLAT	Internal components (3 of 3) on page 173
*	CLAMP, FFC	Internal components (3 of 3) on page 173
*	SCREW, TAPPING, TRUSS HEAD, M4X8	Internal components (3 of 3) on page 173
*	CONTROL PANEL PCB ASS'Y	Control panel assembly on page 177
*	CONTROL PANEL PCB ASS'Y	Control panel assembly on page 177
*	PANEL, CONTROL PANEL	Control panel assembly on page 177

Table 7-23 Numerical parts list (continued)

Part number	Description	Table and page
*	PLATE, CONTROL PANEL RETAINING	Control panel assembly on page 177
*	GUIDE, CONTROL PANEL LIGHT	Control panel assembly on page 177
*	BUTTON, CONTROL PANEL, 1	Control panel assembly on page 177
*	BUTTON, CONTROL PANEL, 2	Control panel assembly on page 177
*	BUTTON, CONTROL PANEL, 3	Control panel assembly on page 177
*	SPACER, CONTROL PANEL	Control panel assembly on page 177
*	SCREW, RS, M3X8	Control panel assembly on page 177
*	MAIN DRIVE ASS'Y	Main drive assembly on page 179
*	F.F.C. CONNECT PCB UNIT	Main drive assembly on page 179
*	COLLAR, SPRING	Main drive assembly on page 179
*	BUSHING	Main drive assembly on page 179
*	FLANGE, CAM GEAR	Main drive assembly on page 179
*	COVER, DRUM	Main drive assembly on page 179
*	BUSHING	Main drive assembly on page 179
*	BUSHING	Main drive assembly on page 179
*	CAM, RELEASE	Main drive assembly on page 179
*	ROD, RELEASE, RIGHT	Main drive assembly on page 179
*	FAN	Main drive assembly on page 179
*	DUCT, FAN	Main drive assembly on page 179
*	PULLEY	Main drive assembly on page 179
*	BELT, TRANSMISSION	Main drive assembly on page 179
*	STOP, CAM GEAR	Main drive assembly on page 179

Table 7-23 Numerical parts list (continued)

Part number	Description	Table and page
*	BUSHING	Main drive assembly on page 179
*	GUIDE, DRIVE CABLE	Main drive assembly on page 179
*	MOTOR, DC	Main drive assembly on page 179
*	SOLENOID	Main drive assembly on page 179
*	PLATE, DRIVE INSIDE	Main drive assembly on page 179
*	SIDE PLATE, DRIVE	Main drive assembly on page 179
*	PLATE, FAN	Main drive assembly on page 179
*	GEAR, 81T	Main drive assembly on page 179
*	GEAR, 81T/32T	Main drive assembly on page 179
*	GEAR, 96T	Main drive assembly on page 179
*	GEAR, 53T/96T	Main drive assembly on page 179
*	GEAR, 98T	Main drive assembly on page 179
*	GEAR, 89T/53T	Main drive assembly on page 179
*	GEAR, 134T	Main drive assembly on page 179
*	GEAR, 86T	Main drive assembly on page 179
*	GEAR, 64T	Main drive assembly on page 179
*	GEAR, 64T	Main drive assembly on page 179
*	GEAR, 37T	Main drive assembly on page 179
*	GEAR, 27T/64T	Main drive assembly on page 179
*	GEAR, 64T	Main drive assembly on page 179
*	GEAR, 54T	Main drive assembly on page 179
*	GEAR, 54T	Main drive assembly on page 179

Table 7-23 Numerical parts list (continued)

Part number	Description	Table and page
*	GEAR, 18T	Main drive assembly on page 179
*	SPRING, COMPRESSION	Main drive assembly on page 179
*	SPRING, COMPRESSION	Main drive assembly on page 179
*	SPRING, TENSION	Main drive assembly on page 179
*	SHAFT, DRUM GEAR	Main drive assembly on page 179
*	CONNECTOR, 2P	Main drive assembly on page 179
*	CONNECTOR, SNAP TIGHT, BK	Main drive assembly on page 179
*	CLIP, CABLE	Main drive assembly on page 179
*	CLIP, EDGE	Main drive assembly on page 179
*	SCREW, RS, M3X8	Main drive assembly on page 179
*	SCREW, TAPPING, TRUSS HEAD, M4X8	Main drive assembly on page 179
*	SE RING	Main drive assembly on page 179
*	RING, E	Main drive assembly on page 179
*	SPRING, TORSION	Fuser assembly on page 183
*	BUSHING	Fuser assembly on page 183
*	BUSHING	Fuser assembly on page 183
*	RIB, ENTRANCE GUIDE	Fuser assembly on page 183
*	FLAG, INLET	Fuser assembly on page 183
*	GUIDE, PAPER DELIVERY UPPER	Fuser assembly on page 183
*	FLAG, PAPER DELIVERY	Fuser assembly on page 183
*	FILM GUIDE ASS'Y (110v)	Fuser assembly on page 183
*	FILM GUIDE ASS'Y (220v)	Fuser assembly on page 183
*	GUIDE, PAPER DELIVERY LOWER	Fuser assembly on page 183
*	FLAG, INTERTWINE PREVENTION	Fuser assembly on page 183
*	BUSHING	Fuser assembly on page 183
*	PLATE, PRESSURE, LEFT	Fuser assembly on page 183
*	PLATE, PRESSURE, RIGHT	Fuser assembly on page 183

Table 7-23 Numerical parts list (continued)

Part number	Description	Table and page
*	HOLDER, RESISTOR	Fuser assembly on page 183
*	SPRING, GROUNDING	Fuser assembly on page 183
*	SPRING, GROUNDING	Fuser assembly on page 183
*	SPRING, GROUNDING	Fuser assembly on page 183
*	GUIDE, CONTACT/SENSOR SUPPORT	Fuser assembly on page 183
*	ROLLER, PRESSURE	Fuser assembly on page 183
*	ROLLER, FACE-DOWN BENDING	Fuser assembly on page 183
*	PIN,DOWEL	Fuser assembly on page 183
*	CAM, PRESSURE RELEASE	Fuser assembly on page 183
*	FLAG, PRESSURE RELEASE	Fuser assembly on page 183
*	HOLDER, PRESSURE RELEASE GEAR	Fuser assembly on page 183
*	SPRING, LEAF	Fuser assembly on page 183
*	BUSHING	Fuser assembly on page 183
*	BUSHING	Fuser assembly on page 183
*	SPRING, COMPRESSION	Fuser assembly on page 183
*	RING, E	Fuser assembly on page 183
*	SPRING, GROUNDING	Fuser assembly on page 183
*	ROLLER, DELIVERY	Fuser assembly on page 183
*	MOTOR, STEPPING, DC	Fuser assembly on page 183
*	SCREW, RS, M3X6	Fuser assembly on page 183
*	SHAFT, FACE-DOWN ROLLER	Fuser assembly on page 183
*	SCREW, RS, M3X8	Fuser assembly on page 183
*	GEAR, 30T	Fuser assembly on page 183
*	GEAR, 19T	Fuser assembly on page 183
*	GEAR, 16T	Fuser assembly on page 183
*	GEAR, 49T	Fuser assembly on page 183
*	GEAR, 19T/71T	Fuser assembly on page 183
*	GEAR, 27T	Fuser assembly on page 183
*	GEAR, 26T	Fuser assembly on page 183
*	GEAR, 20T/44T	Fuser assembly on page 183
*	GEAR, 22T/38T	Fuser assembly on page 183
*	SPRING, TENSION	Fuser assembly on page 183
*	SPRING, TORSION	Fuser assembly on page 183
*	SOLID RESISTOR, 20MOHM, 1/4W	Fuser assembly on page 183

Table 7-23 Numerical parts list (continued)

Part number	Description	Table and page
*	PHOTO INTERRUPTER (SENSOR)	Fuser assembly on page 183
*	SCREW, RS, M3X8	Fuser assembly on page 183
*	CLIP, ENTRANCE GUIDE	Fuser assembly on page 183
*	PLATE, GROUNDING	Fuser assembly on page 183
*	GUIDE, FIXING ENTRANCE	Fuser assembly on page 183
*	FRAME, FIXING	Fuser assembly on page 183
*	SIDE PLATE, FIXING, RIGHT	Fuser assembly on page 183
*	SIDE PLATE, FIXING, LEFT	Fuser assembly on page 183
*	SHAFT, PRESSURE RELEASE	Fuser assembly on page 183
*	PLATE, PRESSURE RELEASE, LEFT	Fuser assembly on page 183
*	PLATE, PRESSURE RELEASE, RIGHT	Fuser assembly on page 183
*	SIDE PLATE, FIXING, LEFT, 2	Fuser assembly on page 183
*	SIDE PLATE, FIXING, RIGHT, 2	Fuser assembly on page 183
*	SHAFT, PRESSURE RELEASE CAM	Fuser assembly on page 183
*	PLATE, MOTOR ANTI-MAGNETIC	Fuser assembly on page 183
*	SIDE PLATE, GEAR	Fuser assembly on page 183
*	BASE PLATE, FIXING	Fuser assembly on page 183
*	PCB ASS'Y LOCATION DIAGRAM	PCB assembly location Tray 2 on page 187
*	MEMORY CONTROLLER PCB ASS'Y	PCB assembly location Tray 2 on page 187
*	POWER SUPPLY PCB ASS'Y	PCB assembly location Tray 2 on page 187
*	POWER SUPPLY PCB ASS'Y	PCB assembly location Tray 2 on page 187
*	HIGH-VOLTAGE PCB ASS'Y	PCB assembly location Tray 2 on page 187
*	PANEL, FRONT	Tray 2 input tray (cassette) on page 189
*	GUIDE, CASSETTE DUPLEX, LOWER	Tray 2 input tray (cassette) on page 189
*	STOPPER, CASSETTE, LEFT	Tray 2 input tray (cassette) on page 189
*	STOPPER, CASSETTE, RIGHT	Tray 2 input tray (cassette) on page 189
*	ARM, CLAW RELEASE, LEFT	Tray 2 input tray (cassette) on page 189
*	ARM, CLAW RELEASE, RIGHT	Tray 2 input tray (cassette) on page 189

Table 7-23 Numerical parts list (continued)

Part number	Description	Table and page
*	ARM, REMNANT INDICATION	Tray 2 input tray (cassette) on page 189
*	ARM, PLATE LOCK RELEASE, MD.	Tray 2 input tray (cassette) on page 189
*	SIZE PLATE, PAPER	Tray 2 input tray (cassette) on page 189
*	SPRING, GROUNDING	Tray 2 input tray (cassette) on page 189
*	SPRING, GROUNDING	Tray 2 input tray (cassette) on page 189
*	PLATE, CASSETTE REINFORCEMENT	Tray 2 input tray (cassette) on page 189
*	ARM, MD. PLATE RELEASE, LEFT	Tray 2 input tray (cassette) on page 189
*	CLAW, MD. PLATE RELEASE, LEFT	Tray 2 input tray (cassette) on page 189
*	ARM, MD. PLATE RELEASE, RIGHT	Tray 2 input tray (cassette) on page 189
*	CLAW, MD. PLATE RELEASE, RIGHT	Tray 2 input tray (cassette) on page 189
*	SPRING, COMPRESSION	Tray 2 input tray (cassette) on page 189
*	SPRING, COMPRESSION	Tray 2 input tray (cassette) on page 189
*	SPRING, TENSION	Tray 2 input tray (cassette) on page 189
*	SPRING, COMPRESSION	Tray 2 input tray (cassette) on page 189
*	SPRING, COMPRESSION	Tray 2 input tray (cassette) on page 189
*	SPRING, COMPRESSION	Tray 2 input tray (cassette) on page 189
*	BACK END LIMIT PLATE ASS'Y	Tray 2 input tray (cassette) on page 189
*	MIDDLE PLATE ASS'Y	Tray 2 input tray (cassette) on page 189
*	LEFT PAPER SIDE END ASS'Y	Tray 2 input tray (cassette) on page 189
*	RIGHT PAPER SIDE END ASS'Y	Tray 2 input tray (cassette) on page 189
*	GUIDE, CASSETTE DUPLEX, UPPER	Tray 2 input tray (cassette) on page 189
*	SCREW, TAPPING, TRUSS HEAD, M4X8	Tray 2 input tray (cassette) on page 189

Table 7-23 Numerical parts list (continued)

Part number	Description	Table and page
*	CASSETTE BODY ASS'Y	Tray 2 input tray (cassette) on page 189
*	BODY, CASSETTE	Tray 2 input tray (cassette) on page 189
*	PLATE, BACK END LIMIT, LARGE	Tray 2 input tray (cassette) on page 189
*	ARM, BACK END LOCK	Tray 2 input tray (cassette) on page 189
*	PLATE, BACK END LIMIT, SMALL	Tray 2 input tray (cassette) on page 189
*	LEVER, BACK END LOCK RELEASE	Tray 2 input tray (cassette) on page 189
*	STOPPER, BACK END LIMIT	Tray 2 input tray (cassette) on page 189
*	SPRING, COMPRESSION	Tray 2 input tray (cassette) on page 189
*	SHEET, SEPARATION	Tray 2 input tray (cassette) on page 189
*	PLATE, MIDDLE	Tray 2 input tray (cassette) on page 189
*	PLATE, REINFORCEMENT	Tray 2 input tray (cassette) on page 189
*	CLAW, MIDDLE PLATE, LEFT	Tray 2 input tray (cassette) on page 189
*	CLAW, MIDDLE PLATE, RIGHT	Tray 2 input tray (cassette) on page 189
*	RACK	Tray 2 input tray (cassette) on page 189
*	GEAR, 22T	Tray 2 input tray (cassette) on page 189
*	SPRING, COMPRESSION	Tray 2 input tray (cassette) on page 189
*	SCREW, TAPPING, TRUSS HEAD, M3X6	Tray 2 input tray (cassette) on page 189
*	SCREW, TAPPING, TRUSS HEAD, M3X6	Tray 2 input tray (cassette) on page 189
*	HOLDER, PAPER RETAINING	Tray 2 input tray (cassette) on page 189
*	SPRING, COMPRESSION	Tray 2 input tray (cassette) on page 189
*	PLATE, PAPER SIDE END, RIGHT	Tray 2 input tray (cassette) on page 189
*	LEVER, SIDE END LOCK RELEASE	Tray 2 input tray (cassette) on page 189

Table 7-23 Numerical parts list (continued)

Part number	Description	Table and page
*	STOPPER, PAPER SIDE END	Tray 2 input tray (cassette) on page 189
*	SPRING, COMPRESSION	Tray 2 input tray (cassette) on page 189
*	HOLDER, PAD	Tray 2 input tray (cassette) on page 189
*	HOLDER, SEPARATION	Tray 2 input tray (cassette) on page 189
*	PLATE, PAPER GUIDE	Tray 2 input tray (cassette) on page 189
*	HOLDER, PAD	Tray 2 input tray (cassette) on page 189
*	WEIGHT, PAD	Tray 2 input tray (cassette) on page 189
*	HOLDER, PAD	Tray 2 input tray (cassette) on page 189
*	SPRING, COMPRESSION	Tray 2 input tray (cassette) on page 189
*	RACK, MANUAL FEED	Tray 2 input tray (cassette) on page 189
*	GUIDE, MANUAL FEED	Tray 2 input tray (cassette) on page 189
*	GUIDE, FEED WIDTH, LEFT	Tray 2 input tray (cassette) on page 189
*	GUIDE, FEED WIDTH, RIGHT	Tray 2 input tray (cassette) on page 189
*	GEAR, 16T	Tray 2 input tray (cassette) on page 189
*	INTERNAL COMPONENTS	Tray 2 sheet input tray internal components on page 195
*	CAP, CONTINUITY	Tray 2 sheet input tray internal components on page 195
*	BASE, MOTOR	Tray 2 sheet input tray internal components on page 195
*	CLUTCH, MECHANICAL	Tray 2 sheet input tray internal components on page 195
*	SPRING, LEAF	Tray 2 sheet input tray internal components on page 195
*	BUSHING	Tray 2 sheet input tray internal components on page 195

Table 7-23 Numerical parts list (continued)

Part number	Description	Table and page
*	HOLDER, DRAWER CONNECTOR	Tray 2 sheet input tray internal components on page 195
*	HOLDER, SWING GEAR	Tray 2 sheet input tray internal components on page 195
*	PLATE, GROUNDING	Tray 2 sheet input tray internal components on page 195
*	COVER, OPTION FRONT	Tray 2 sheet input tray internal components on page 195
*	COVER, OPTION LEFT	Tray 2 sheet input tray internal components on page 195
*	COVER, PCB	Tray 2 sheet input tray internal components on page 195
*	SHAFT, POSITIONING	Tray 2 sheet input tray internal components on page 195
*	COVER, SWING GEAR	Tray 2 sheet input tray internal components on page 195
*	STOP, CLUTCH	Tray 2 sheet input tray internal components on page 195
*	SOLENOID	Tray 2 sheet input tray internal components on page 195
*	PICKUP GEAR ASS'Y	Tray 2 sheet input tray internal components on page 195
*	COVER, OPTION RIGHT	Tray 2 sheet input tray internal components on page 195
*	GEAR, 47T/26T	Tray 2 sheet input tray internal components on page 195
*	GEAR, 40T/43T	Tray 2 sheet input tray internal components on page 195
*	CAM/GEAR, 26T	Tray 2 sheet input tray internal components on page 195
*	GEAR, 19T	Tray 2 sheet input tray internal components on page 195

Table 7-23 Numerical parts list (continued)

Part number	Description	Table and page
*	GEAR, 18T	Tray 2 sheet input tray internal components on page 195
*	SPRING, COMPRESSION	Tray 2 sheet input tray internal components on page 195
*	SPRING, TENSION	Tray 2 sheet input tray internal components on page 195
*	CONNECTOR, DRAWER	Tray 2 sheet input tray internal components on page 195
*	SADDLE, WIRE	Tray 2 sheet input tray internal components on page 195
*	SCREW, RS, M3X8	Tray 2 sheet input tray internal components on page 195
*	SPRING, GROUNDING	Tray 2 sheet input tray internal components on page 195
*	GUIDE, CASSETTE, FRONT LEFT	Tray 2 sheet input tray internal components on page 195
*	GUIDE, CASSETTE, REAR LEFT	Tray 2 sheet input tray internal components on page 195
*	SCREW, RS, M3X8	Tray 2 sheet input tray internal components on page 195
*	GUIDE, CASSETTE, REAR RIGHT	Tray 2 sheet input tray internal components on page 195
*	GUIDE, CASSETTE, FRONT RIGHT	Tray 2 sheet input tray internal components on page 195
*	SCREW, RS, M3X8	Tray 2 sheet input tray internal components on page 195
*	PAPER FEEDER PCB ASS'Y	Tray 2 sheet input tray internal components on page 195
*	SCREW, TAPPING, TRUSS HEAD, M4X8	Tray 2 sheet input tray internal components on page 195
*	CROSSMEMBER, FRONT	Tray 2 sheet input tray internal components on page 195

Table 7-23 Numerical parts list (continued)

Part number	Description	Table and page
*	CROSSMEMBER, REAR	Tray 2 sheet input tray internal components on page 195
*	CROSSMEMBER, MIDDLE	Tray 2 sheet input tray internal components on page 195
*	CROSSMEMBER, LOWER, REAR	Tray 2 sheet input tray internal components on page 195
*	GUIDE, PAPER SENSOR CABLE, 1	Tray 2 sheet input tray internal components on page 195
*	GUIDE, PAPER SENSOR CABLE, 2	Tray 2 sheet input tray internal components on page 195
*	GEAR, 29T	Tray 2 sheet input tray internal components on page 195
*	GEAR, 29T	Tray 2 sheet input tray internal components on page 195
*	SPRING, COMPRESSION	Tray 2 sheet input tray internal components on page 195
*	FOOT, RUBBER	Tray 2 sheet input tray internal components on page 195
*	COVER, OPTION RIGHT	Tray 2 sheet input tray internal components on page 195
*	OPTION FRAME LEFT ASS'Y	Tray 2 sheet input tray internal components on page 195
*	FRAME, OPTION, LEFT	Tray 2 sheet input tray internal components on page 195
*	OPTION FRAME RIGHT ASS'Y	Tray 2 sheet input tray internal components on page 195
*	FRAME, OPTION, RIGHT	Tray 2 sheet input tray internal components on page 195
*	PAPER PICKUP FEEDER ASS'Y	Paper pick-up feeder assembly for Tray 2 on page 199
*	GUIDE, REGISTRATION	Paper pick-up feeder assembly for Tray 2 on page 199

Table 7-23 Numerical parts list (continued)

Part number	Description	Table and page
*	PLATE, REG. GROUNDING, 1	Paper pick-up feeder assembly for Tray 2 on page 199
*	PLATE, REG. GROUNDING, 2	Paper pick-up feeder assembly for Tray 2 on page 199
*	FLAG, SENSOR	Paper pick-up feeder assembly for Tray 2 on page 199
*	SPRING, TORSION	Paper pick-up feeder assembly for Tray 2 on page 199
*	COVER, SENSOR, TOP	Paper pick-up feeder assembly for Tray 2 on page 199
*	GUIDE, PRE-TRANSFER	Paper pick-up feeder assembly for Tray 2 on page 199
*	ROLLER, REGISTRATION DRIVE	Paper pick-up feeder assembly for Tray 2 on page 199
*	BUSHING	Paper pick-up feeder assembly for Tray 2 on page 199
*	SHUTTER, REGISTRATION	Paper pick-up feeder assembly for Tray 2 on page 199
*	SPRING, TORSION	Paper pick-up feeder assembly for Tray 2 on page 199
*	ROLLER, REGISTRATION, A	Paper pick-up feeder assembly for Tray 2 on page 199
*	ROLLER, REGISTRATION, B	Paper pick-up feeder assembly for Tray 2 on page 199
*	ROLLER, REGISTRATION, C	Paper pick-up feeder assembly for Tray 2 on page 199
*	BUSHING	Paper pick-up feeder assembly for Tray 2 on page 199
*	BUSHING	Paper pick-up feeder assembly for Tray 2 on page 199
*	HOLDER, PAPER WIDTH SENSOR	Paper pick-up feeder assembly for Tray 2 on page 199

Table 7-23 Numerical parts list (continued)

Part number	Description	Table and page
*	FLAG, PAPER WIDTH SENSOR	Paper pick-up feeder assembly for Tray 2 on page 199
*	SPRING, TORSION	Paper pick-up feeder assembly for Tray 2 on page 199
*	RESISTOR, 400 OHM, 0.5W	Paper pick-up feeder assembly for Tray 2 on page 199
*	COVER, PICKUP FEED FRAME	Paper pick-up feeder assembly for Tray 2 on page 199
*	SPRING, TENSION	Paper pick-up feeder assembly for Tray 2 on page 199
*	PHOTO INTERRUPTER (SENSOR)	Paper pick-up feeder assembly for Tray 2 on page 199
*	PAPER PICKUP DRIVE ASS'Y	Paper pick-up feeder assembly for Tray 2 on page 199
*	FEEDER UNIT CABLE	Paper pick-up feeder assembly for Tray 2 on page 199
*	SCREW, TAPPING, TRUSS HEAD, M4X8	Paper pick-up feeder assembly for Tray 2 on page 199
*	FRAME, PAPER PICKUP FEEDER	Paper pick-up feeder assembly for Tray 2 on page 199
*	SHAFT, REGISTRATION ROLLER	Paper pick-up feeder assembly for Tray 2 on page 199
*	COVER, PICKUP FEED FRAME	Paper pick-up feeder assembly for Tray 2 on page 199
*	SHEET, SCRAPER, 1	Paper pick-up feeder assembly for Tray 2 on page 199
*	SHEET, SCRAPER, 2	Paper pick-up feeder assembly for Tray 2 on page 199
*	SHAFT, PAPER PICKUP DRIVE	Paper pick-up feeder assembly for Tray 2 on page 199
*	BUSHING	Paper pick-up feeder assembly for Tray 2 on page 199

Table 7-23 Numerical parts list (continued)

Part number	Description	Table and page
*	BUSHING	Paper pick-up feeder assembly for Tray 2 on page 199
*	ARM, CST. PAPER SENSING, 1	Paper pick-up feeder assembly for Tray 2 on page 199
*	ARM, CST. PAPER SENSING, 2	Paper pick-up feeder assembly for Tray 2 on page 199
*	HOLDER, PAPER PICKUP ROLLER	Paper pick-up feeder assembly for Tray 2 on page 199
*	ROLLER, CASSETTE PAPER PICKUP	Paper pick-up feeder assembly for Tray 2 on page 199
*	BUSHING	Paper pick-up feeder assembly for Tray 2 on page 199
*	SPRING, COMPRESSION	Paper pick-up feeder assembly for Tray 2 on page 199
*	PANEL, FRONT	Tray 3 input tray (cassette) on page 203
*	FRAME, FRONT	Tray 3 input tray (cassette) on page 203
*	STOPPER, CASSETTE, LEFT	Tray 3 input tray (cassette) on page 203
*	STOPPER, CASSETTE, RIGHT	Tray 3 input tray (cassette) on page 203
*	ARM, CLAW RELEASE, LEFT	Tray 3 input tray (cassette) on page 203
*	ARM, CLAW RELEASE, RIGHT	Tray 3 input tray (cassette) on page 203
*	ARM, REMNANT INDICATION	Tray 3 input tray (cassette) on page 203
*	ARM, PLATE LOCK RELEASE, MD	Tray 3 input tray (cassette) on page 203
*	SIZE PLATE, PAPER	Tray 3 input tray (cassette) on page 203
*	SPRING, GROUNDING	Tray 3 input tray (cassette) on page 203
*	SPRING, GROUNDING	Tray 3 input tray (cassette) on page 203
*	PLATE, CASSETTE REINFORCEMENT	Tray 3 input tray (cassette) on page 203

Table 7-23 Numerical parts list (continued)

Part number	Description	Table and page
*	ARM, MD. PLATE RELEASE, LEFT	Tray 3 input tray (cassette) on page 203
*	CLAW, MD. PLATE RELEASE, LEFT	Tray 3 input tray (cassette) on page 203
*	ARM, MD. PLATE RELEASE, RIGHT	Tray 3 input tray (cassette) on page 203
*	CLAW, MD. PLATE RELEASE, RIGHT	Tray 3 input tray (cassette) on page 203
*	SPRING, COMPRESSION	Tray 3 input tray (cassette) on page 203
*	SPRING, COMPRESSION	Tray 3 input tray (cassette) on page 203
*	SPRING, TENSION	Tray 3 input tray (cassette) on page 203
*	SPRING, COMPRESSION	Tray 3 input tray (cassette) on page 203
*	SPRING, COMPRESSION	Tray 3 input tray (cassette) on page 203
*	SPRING, COMPRESSION	Tray 3 input tray (cassette) on page 203
*	BACK END LIMIT PLATE ASS'Y	Tray 3 input tray (cassette) on page 203
*	MIDDLE PLATE ASS'Y	Tray 3 input tray (cassette) on page 203
*	LEFT PAPER SIDE END ASS'Y	Tray 3 input tray (cassette) on page 203
*	RIGHT PAPER SIDE END ASS'Y	Tray 3 input tray (cassette) on page 203
*	SCREW, TAPPING, TRUSS HEAD, M4X8	Tray 3 input tray (cassette) on page 203
*	CASSETTE BODY ASS'Y	Tray 3 input tray (cassette) on page 203
*	BODY, CASSETTE	Tray 3 input tray (cassette) on page 203
*	PLATE, BACK END LIMIT, LARGE	Tray 3 input tray (cassette) on page 203
*	ARM, BACK END LOCK	Tray 3 input tray (cassette) on page 203
*	PLATE, BACK END LIMIT, SMALL	Tray 3 input tray (cassette) on page 203
*	LEVER, BACK END LOCK RELEASE	Tray 3 input tray (cassette) on page 203
*	STOPPER, BACK END LIMIT	Tray 3 input tray (cassette) on page 203

Table 7-23 Numerical parts list (continued)

Part number	Description	Table and page
*	SPRING, COMPRESSION	Tray 3 input tray (cassette) on page 203
*	SHEET, SEPARATION	Tray 3 input tray (cassette) on page 203
*	PLATE, MIDDLE	Tray 3 input tray (cassette) on page 203
*	PLATE, REINFORCEMENT	Tray 3 input tray (cassette) on page 203
*	CLAW, MIDDLE PLATE, LEFT	Tray 3 input tray (cassette) on page 203
*	CLAW, MIDDLE PLATE, RIGHT	Tray 3 input tray (cassette) on page 203
*	RACK	Tray 3 input tray (cassette) on page 203
*	GEAR, 22T	Tray 3 input tray (cassette) on page 203
*	SPRING, COMPRESSION	Tray 3 input tray (cassette) on page 203
*	SCREW, TAPPING, TRUSS HEAD, M3X6	Tray 3 input tray (cassette) on page 203
*	PLATE, PAPER SIDE END, LEFT	Tray 3 input tray (cassette) on page 203
*	HOLDER, PAPER RETAINING	Tray 3 input tray (cassette) on page 203
*	SPRING, COMPRESSION	Tray 3 input tray (cassette) on page 203
*	PLATE, PAPER SIDE END, RIGHT	Tray 3 input tray (cassette) on page 203
*	LEVER, SIDE END LOCK RELEASE	Tray 3 input tray (cassette) on page 203
*	STOPPER, PAPER SIDE END	Tray 3 input tray (cassette) on page 203
*	SPRING, COMPRESSION	Tray 3 input tray (cassette) on page 203
*	HOLDER, PAD	Tray 3 input tray (cassette) on page 203
*	HOLDER, SEPARATION	Tray 3 input tray (cassette) on page 203
*	PLATE, PAPER GUIDE	Tray 3 input tray (cassette) on page 203
*	HOLDER, PAD	Tray 3 input tray (cassette) on page 203
*	WEIGHT, PAD	Tray 3 input tray (cassette) on page 203

Table 7-23 Numerical parts list (continued)

Part number	Description	Table and page
*	HOLDER, PAD	Tray 3 input tray (cassette) on page 203
*	SPRING, COMPRESSION	Tray 3 input tray (cassette) on page 203
*	GUIDE, REGISTRATION	Paper pickup feeder assembly (Tray 3) on page 207
*	PLATE, REG. GROUNDING, 1	Paper pickup feeder assembly (Tray 3) on page 207
*	PLATE, REG. GROUNDING, 2	Paper pickup feeder assembly (Tray 3) on page 207
*	COVER, PICKUP FEED FRAME	Paper pickup feeder assembly (Tray 3) on page 207
*	GUIDE, PRE-TRANSFER	Paper pickup feeder assembly (Tray 3) on page 207
*	ROLLER, REGISTRATION DRIVE	Paper pickup feeder assembly (Tray 3) on page 207
*	BUSHING	Paper pickup feeder assembly (Tray 3) on page 207
*	ROLLER, REGISTRATION, A	Paper pickup feeder assembly (Tray 3) on page 207
*	ROLLER, REGISTRATION, B	Paper pickup feeder assembly (Tray 3) on page 207
*	ROLLER, REGISTRATION, C	Paper pickup feeder assembly (Tray 3) on page 207
*	BUSHING	Paper pickup feeder assembly (Tray 3) on page 207
*	BUSHING	Paper pickup feeder assembly (Tray 3) on page 207
*	RESISTOR, 400 OHM, 0.5W	Paper pickup feeder assembly (Tray 3) on page 207
*	SPRING, TENSION	Paper pickup feeder assembly (Tray 3) on page 207
*	PHOTO INTERRUPTER (SENSOR)	Paper pickup feeder assembly (Tray 3) on page 207
*	CABLE, OPTION SENSOR	Paper pickup feeder assembly (Tray 3) on page 207
*	PAPER PICKUP DRIVE ASS'Y	Paper pickup feeder assembly (Tray 3) on page 207
*	SCREW, TAPPING, TRUSS HEAD, M4X8	Paper pickup feeder assembly (Tray 3) on page 207
*	FRAME, PAPER PICKUP FEEDER	Paper pickup feeder assembly (Tray 3) on page 207
*	SHAFT, REGISTRATION ROLLER	Paper pickup feeder assembly (Tray 3) on page 207

Table 7-23 Numerical parts list (continued)

Part number	Description	Table and page
*	SHAFT, PAPER PICKUP DRIVE	Paper pickup feeder assembly (Tray 3) on page 207
*	BUSHING	Paper pickup feeder assembly (Tray 3) on page 207
*	BUSHING	Paper pickup feeder assembly (Tray 3) on page 207
*	ARM, CST. PAPER SENSING, 1	Paper pickup feeder assembly (Tray 3) on page 207
*	ARM, CST. PAPER SENSING, 2	Paper pickup feeder assembly (Tray 3) on page 207
*	HOLDER, PAPER PICKUP ROLLER	Paper pickup feeder assembly (Tray 3) on page 207
*	ROLLER, CASSETTE PAPER PICKUP	Paper pickup feeder assembly (Tray 3) on page 207
*	BUSHING	Paper pickup feeder assembly (Tray 3) on page 207
*	SPRING, COMPRESSION	Paper pickup feeder assembly (Tray 3) on page 207
*	PCB ASS'Y LOCATION DIAGRAM	Paper pickup feeder assembly (Tray 3) on page 209
*	PAPER FEEDER PCB ASS'Y	Paper pickup feeder assembly (Tray 3) on page 209
RC1-5062-000CN	RETAINER, PAPER	Internal components (2 of 3) on page 169
RC1-5096-000CN	ARM, PAPER RETAINER, LEFT	Internal components (2 of 3) on page 169
RC1-5097-000CN	ARM, PAPER RETAINER, RIGHT	Internal components (2 of 3) on page 169
RC1-5147-000CN	SPRING, GROUNDING	Internal components (2 of 3) on page 169
RC1-5173-000CN	COVER, FACE-DOWN	External panels and covers (1 of 2) on page 159
RC1-5174-000CN	COVER, UPPER FACE, S	External panels and covers (1 of 2) on page 159
RC1-5176-000CN	COVER, UPPER	Upper assembly cover on page 163
RC1-5178-000CN	COVER, INSIDE, UPPER	Upper assembly cover on page 163
RC1-5183-000CN	COVER, LEFT	External panels and covers (1 of 2) on page 159
RC1-5184-000CN	COVER, CASSETTE, LEFT	External panels and covers (1 of 2) on page 159
RC1-5188-000CN	COVER, CASSETTE, RIGHT	External panels and covers (2 of 2) on page 161

Table 7-23 Numerical parts list (continued)

Part number	Description	Table and page
RC1-5200-000CN	COVER, CASSETTE DUST	External panels and covers (1 of 2) on page 159
RC1-5200-000CN	COVER, CASSETTE DUST	External panels and covers (2 of 2) on page 161
RC1-5200-000CN	COVER, CASSETTE DUST	Tray 2 sheet input tray internal components on page 195
RC1-5227-000CN	PLATE, REAR	External panels and covers (1 of 2) on page 159
RC1-5227-000CN	PLATE, REAR	External panels and covers (2 of 2) on page 161
RC1-5440-000CN	PAPER PICKUP ROLLER	250-sheet input tray (cassette) on page 193
RC1-5440-000CN	ROLLER, PAPER PICKUP	Paper pick-up feeder assembly for Tray 2 on page 199
RC1-5440-000CN	PAPER PICKUP ROLLER	Tray 3 input tray (cassette) on page 203
RC1-5440-000CN	PAPER PICKUP ROLLER	Paper pickup feeder assembly (Tray 3) on page 207
RC1-5440-000CN	ROLLER, PAPER PICKUP	Paper pickup feeder assembly (Tray 3) on page 207
RM1-1820-000CN	FUSER ASS'Y (110v)	Fuser assembly on page 183
RM1-1820-000CN (110v) or RM1-1821-000CN (220v)	FUSER ASSEMBLY	Assembly locations on page 157
RM1-1821-000CN	FUSER ASS'Y (220v)	Fuser assembly on page 183
RM1-1856-000CN	FRONT DOOR ASS'Y	External panels and covers (2 of 2) on page 161
RM1-1858-000CN	RIGHT COVER ASS'Y	External panels and covers (2 of 2) on page 161
RM1-1859-000CN	PAPER DELIVERY TRAY ASS'Y	External panels and covers (1 of 2) on page 159
RM1-1885-000CN	ELECT.TRANSPORT BELT ASS'Y	Internal components (2 of 3) on page 169
RM1-1916-000CN	CASSETTE	Assembly locations on page 157
RM1-1916-000CN	CASSETTE	Tray 2 input tray (cassette) on page 189
RM1-1922-000CN	SEPARATION ASS'Y	Tray 2 input tray (cassette) on page 189
RM1-1922-000CN	SEPARATION ASS'Y	Tray 3 input tray (cassette) on page 203

Table 7-23 Numerical parts list (continued)

Part number	Description	Table and page
RM1-1923-000CN	FEED ASS'Y	Tray 2 input tray (cassette) on page 189
RM1-1945-000CN	CASSETTE	250-sheet input tray (cassette) on page 193
RM1-1945-000CN	CASSETTE	Tray 3 input tray (cassette) on page 203
RM1-1975-000CN	DC CONTROLLER PCB ASS'Y	Internal components (3 of 3) on page 173
RM1-1975-000CN	DC CONTROLLER PCB ASS'Y	PCB assembly location Tray 2 on page 187
RM1-1983-000CN	CONTROL PANEL ASSEMBLY	Assembly locations on page 157
RM1-1983-000CN	CONTROL PANEL ASSY	Control panel assembly on page 177